

## FEATURES

- Chrome plated brass ball for longer life rinse hole
- Travel stops on body to avoid stress at stem
- Silicone-free lubricant on all seals
- No maintenance ever required
- No metal-to-metal moving parts

## RS PRO Brass High Pressure Ball Valve 1/2 in BSPP 2 Way

RS Stock No.: 733-5158



RS Professionally Approved Products bring to you professional quality parts across all product categories. Our product range has been tested by engineers and provides a comparable quality to the leading brands without paying a premium price.

## Product Description

RS PRO range of manual brass ball valves. Manual ball valves are used to operate shut off valves which control water flow and pressure. These quarter turn brass full-bore ball valves have a lever handle and are suitable for high temperature hot water services in domestic, commercial and industrial applications.

Available in different sizes:

733-5151 - Gas lever handle ball valve 1/4 inch

733-5158 - Gas lever handle ball valve 1/2 inch

733-5154 - Gas lever handle ball valve 3/8 inch

733-5167 - Gas lever handle ball valve 3/4 inch

733-5160 - Gas lever handle ball valve 1 inch

733-5164 - Gas lever handle ball valve 1 1/4 inch

733-5173 - Gas lever handle ball valve 1 1/2 inch

733-5176 - Gas lever handle ball valve 2 inch

## General Specifications

<b>Threaded Connection</b>	1/2in BSPP
<b>Attachment Type</b>	Threaded
<b>Body Material</b>	Brass
<b>Thread Size</b>	1/2in
<b>Safe For Use With</b>	Gas
<b>Type</b>	2 Way
<b>Application</b>	Heating systems; Water treatment; Liquid flow control

## Mechanical Specifications

<b>Connection Size</b>	15mm
------------------------	------

## Operation Environment Specifications

<b>Working Temperature</b>	-40° C to +170° C
<b>Maximum Working Pressure</b>	40 bar

## Approvals

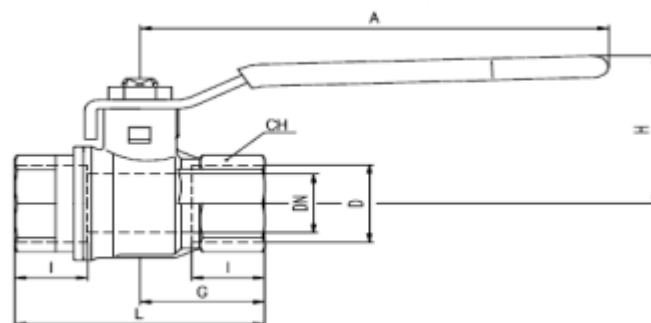
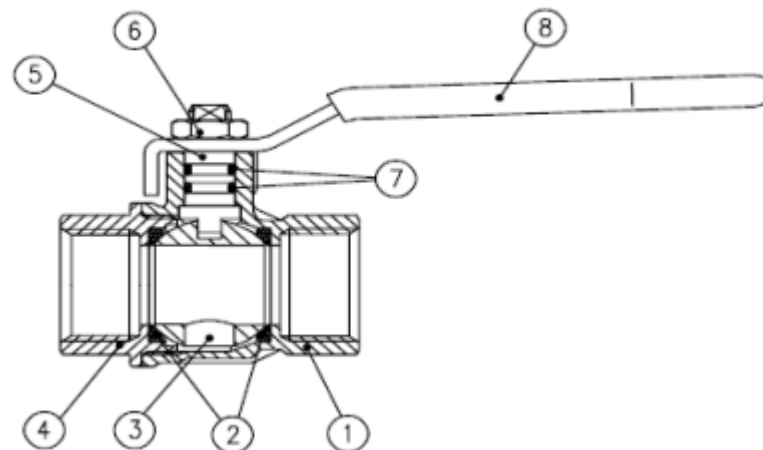
### Compliance/Certifications

DVGW (Germany), SVGW (Switzerland), BSI (UK), Factory Mutual (USA), The Australian Gas Association (Australia), GOST-R , Hygenic and Rostekhnadzor (Russia), Suruhanjaya Tenaga (Malaysia), UkrSepro (Ukraine)





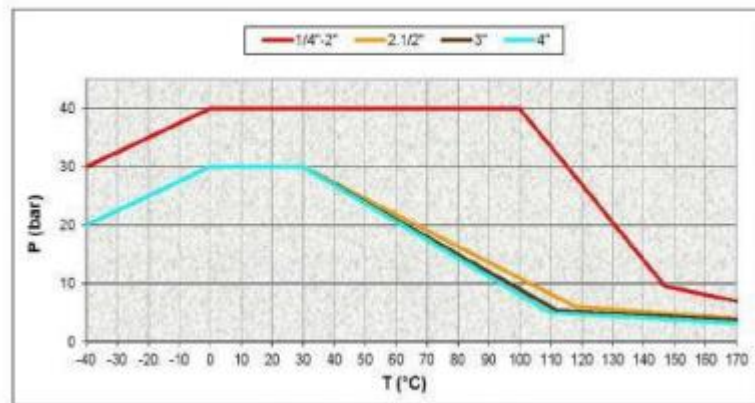
PART DESCRIPTION	Q.TY	MATERIAL
1 Nickel plated body (external nickel plated, unplated inside up to 2")	1	CW617N
2 Seat	2	PTFE
3 Chrome plated ball with rinse hole (the rinse hole is expected from 3/4" up to 2" sizes)	1	CW617N
4 Nickel plated end cap (external nickel plated, unplated inside up to 2")	1	CW617N
5 Nickel plated stem O-ring design	1	CW617N
6 Geomet® nut	1	CB4FF
7 O-Ring	2	FPM
8 Yellow PVC coated Geomet® steel handle	1	DD11





Code	S84B00	S84C00	S84D00	S84E00	S84F00	S84G00	S84H00	S84I00	S84L00	S84M00	S84N00
D (Inch)	1/4	3/8	1/2	3/4	1	1 1/4	1 1/2	2	2 1/2	3	4
DN (mm.)	8	10	15	20	25	32	40	50	65	80	100
I (mm.)	12	12	15,5	17	21	23	23	26,5	32	35	41,5
L (mm.)	45	45	59	64	81	93	102	121	156	177	216
G (mm.)	22,5	22,5	29,5	32	40,5	46,5	51	60,5	78	88,5	108
A (mm.)	82	82	100	120	120	158	158	158	255	255	255
H (mm.)	38	38	43	50	54	73	79	86	132	140	154
CH (mm.)	20	20	25	31	40	49	54	68,5	85	99	125

**Pressure-Temperature Chart**



**Pressure Drop Chart**

