


TK3 SERIES

MULTI-FUNCTION 316 SS FLOW METER



Truflo provides excellence in flow meter products for many industries. This high level of performance results from decades of experience enhancing paddle wheel flow measurement technologies. The results are flow meter products recognized worldwide for their quality, performance, versatility and ease-of-use. Our flow meters deliver impressive performance – even under the toughest conditions.

316SS



SERIES : TK3
CONNECTION : NPT | DIN | Sanitary
SEALS : FPM | EPDM | FFKM



On Paddle Assembly*



Available with Sanitary Ends



Zirconium Ceramic Rotor Pin & Bearings



FEATURES

- High Accuracy | $\pm 1.0\%$ of Full Scale
- Unit of Flow Measurement is Selectable LPM / GPM / KL
- Corrosion Resistant Materials 316 SS | Tefzel® | Zirconium Ceramic
- Low Cost Visual Indication
- Easy Installation | No Mounting Kits
- High Flow Range - 0.3m/s - 10m/s | 0.98 ft/s - 32.8 ft/s
- NPT | G | Sanitary | End Connections
- Compact Design
- Large Bright LED Digital Display
- Horizontal | Vertical Installation
- Size Range ¼ – 2"
- Low Pressure Drop
- 4-20mA | Pulse | Output Signal
- NEMA 4X Enclosure
- Suitable for Corrosive Environments
- Password Protected Security

SPECIFICATIONS

Fluid	Water or Liquid Chemicals Viscosity Range: 0.5-20 centistokes
Accuracy	$> \pm 1.0\%$ of F.S. @ 20°C (68°F) Repeatability $\pm 0.5\%$ of Full Scale
Max Flow Velocity	10 m/s max 32.8 ft/s max
Min Flow	0.3 m/s min 0.98 ft/s min
Operating Pressure	150 psi Non-Shock
Turndown	33:1
Response time	Real Time
Material of Construction	Paddle: Tefzel® Body: 316 SS Shaft: Zirconium Ceramic Seals: FPM EPDM
Operating Temperature	316 SST < 120°C 248°F
Electronics	+ 50°C (122°F)
Protection Class	IP66 NEMA 4X
Approval	CE Rohs
Current Draw	60mA Max
Battery	10-30VDC

*Consult Factory for Details

TK3 SERIES

MULTI-FUNCTION 316 SS FLOW METER



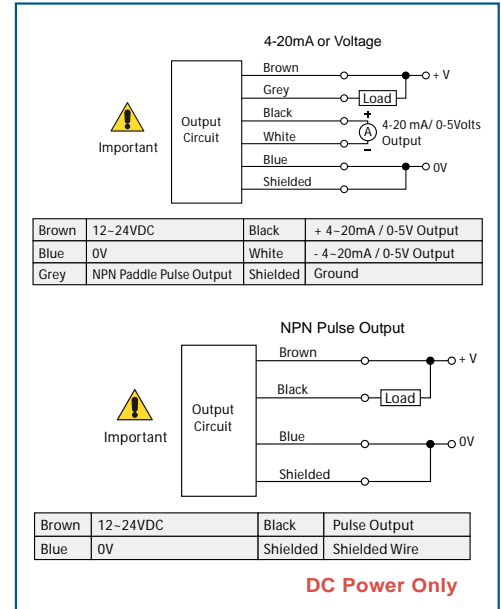
Standard Pipe Size

Pipe Size O.D.	ANSI ID Inches		DIN D mm	Flow Rate LPM USGPM	
	Sch 40	Sch 80		0.3m/s min.	10m/s max.
DN15 (1/2")	0.62	0.55	Ø20	3.5 / 1.0	120 / 32
DN20 (3/4")	0.82	0.74	Ø25	5.0 / 1.5	170 / 45
DN25 (1")	1.00	0.96	Ø32	9.0 / 2.5	300 / 79
DN40 (1 1/2")	1.40	1.50	Ø50	25.0 / 6.5	850 / 225
DN50 (2")	2.00	1.90	Ø63	40.0 / 10.5	1350 / 357
DN 65 (2 1/2")	2.50	2.30	Ø75	60.0 / 16	1850 / 357
DN80 (3")	3.10	2.90	Ø78	90.0 / 24	2800 / 739
DN100 (4")	4.00	3.80	Ø96.50	125.0 / 33	4350 / 1149

Application Note

Load resistance:
 Current output : (4-20mA) : 120 Ω max.
 Voltage output : (0-5V) : 10K Ω min.

Wiring Diagram



Range of Transmitter

TKW Series	DN08 1/4"	DN10 3/8"	DN15 1/2"	DN20 3/4"	DN25 1"
Range LPM GPM	0.16 - 3.17 GPM	0-16 GPM	0-90 LPM / 0-24 GPM	0-200 LPM / 0-53 GPM	2.5 - 79.0 GPM
TKW Series	DN40 1 1/2"	DN50 2"	DN15 1/2"	DN20 3/4"	DN50 1"
Range LPM GPM	6.5 - 225 GPM	10.5 - 357 GPM	0-90 LPM 0-24 GPM	0-200 LPM 0-53 GPM	0-330 LPM 0-87 GPM

PRODUCT SELECTION

EXAMPLE

TK3P ----- 25 ----- E ----- GT ----- T
 (1) (2) (3) (4) (5)

1. SERIES

- TK3B = Battery Operated Paddle Wheel Flow Meter - Flow Rate + Flow Total
- TK3S = Paddle Wheel Flow Meter with Relay Output + Flow Rate Pulse Output
- TK3P = Paddle Wheel Flow Meter & Flow Totalizer + Flow Rate Pulse + Flow Total Pulse
- TK3M = Paddle Wheel Flow Meter with Transmitter 4-20mA + Flow Rate Pulse / Flow Total Pulse
- TK3W = Paddle Wheel Flow Meter / 4-20mA or Pulse

2. PIPE SIZE

08 / (1/4") / 10 / (3/8")
 15 / (1/2") / 20 / (3/4")
 25 / (1") / 40 / (1 1/2")
 50 / (2")

3. Seals*

E - EPDM
 F - FFKM

* FPM is Standard

5. END CONNECTIONS

SE - Sanitary Ends
 T - NPT
 GT - G Thread

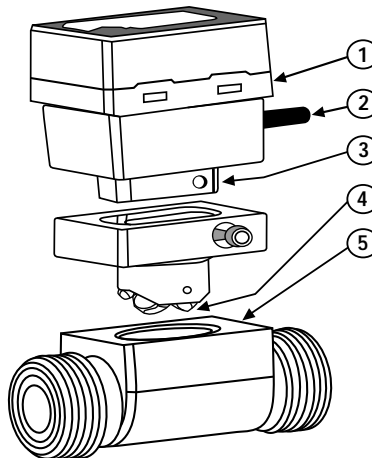
5. COMMUNICATION OR TRANSMITTER

RS = TKP Series with RS-485 MODBUS Selectable

6. CONNECTION METHOD

M = M12 2(M) Connection (Option)
 * No Electrical Connection for TK3B Series

PARTS TK3 SERIES



- Flow Controller
- Lead Wire
- Hall Sensor
- Paddle Wheel
- Body 316 SS

* Note : CPVC Union Ends Available

TYPICAL APPLICATION

