

FEATURES

- Wood-filled phenolic knobs
- Zinc-plated steel threaded studs
- Made to BS771 standards
- Tolerant of weak acids, with excellent resistance to chlorinated hydrocarbons
- Working temperature range of -30°C to +140°C

RS PRO Black 4-Arm Clamping Knob, M6

RS Stock No.: 686-626



RS Professionally Approved Products bring to you professional quality parts across all product categories. Our product range has been tested by engineers and provides a comparable quality to the leading brands without paying a premium price.

Product Description

Knobs are used in a wide variety of applications in our day-to-day lives and perform many functions, from being used as fixed handles to being used to tighten, loosen, adjust, clamp and push other components or pieces of equipment. They are used in various applications, from industrial and construction machinery to audio and visual equipment.

Male knobs: M6 x 13mm (RS [686604](#)), M6 x 25mm (RS [686610](#)), M6 x 40mm (RS [686626](#)), M8 x 20mm (RS [686632](#)), M8 x 25mm (RS [686648](#)), M8 x 40mm (RS [686654](#)).

General Specifications

Thread	M6
Knob Shape	4-Arm
Mounting Type	Threaded Stud
Body Material	Phenolic
Insert Material	Steel
Colour	Black
Application	Access doors, Drawers & panels (domestic and industrial), Clamps and fixtures, Machinery

Mechanical Specifications

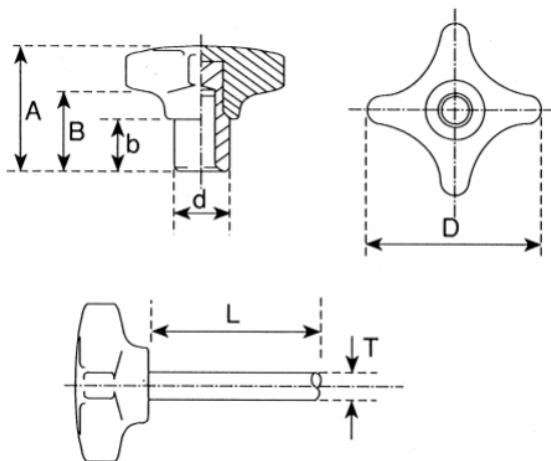
Thread Diameter	6mm
Thread Length	40mm
Knob Diameter	38mm
Hole Diameter	18mm
Hole Length	8mm

Approvals

Compliance/Certifications	EN 61340
----------------------------------	----------



Dimensions:



Dimensions (mm)					
Stock no	D	A	B	b	d
686-604	38	20	8	-	18
686-610	38	20	8	-	18
686-626	38	20	8	-	18
686-632	50	27	12	-	22
686-648	50	27	12	-	22
686-654	50	27	12	-	22