

## FEATURES

- Can withstand oils, greases and solvents
- Tightened with fingertip pressure or with slotted drive
- Lightweight
- Wear resistant
- Non-conductive
- Non-corrosive

# RS PRO Metric Thumb Screws

RS Stock No.: 2326915, 2326939, 2326949, 2326960



RS Professionally Approved Products bring to you professional quality parts across all product categories. Our product range has been tested by engineers and provides a comparable quality to the leading brands without paying a premium price.

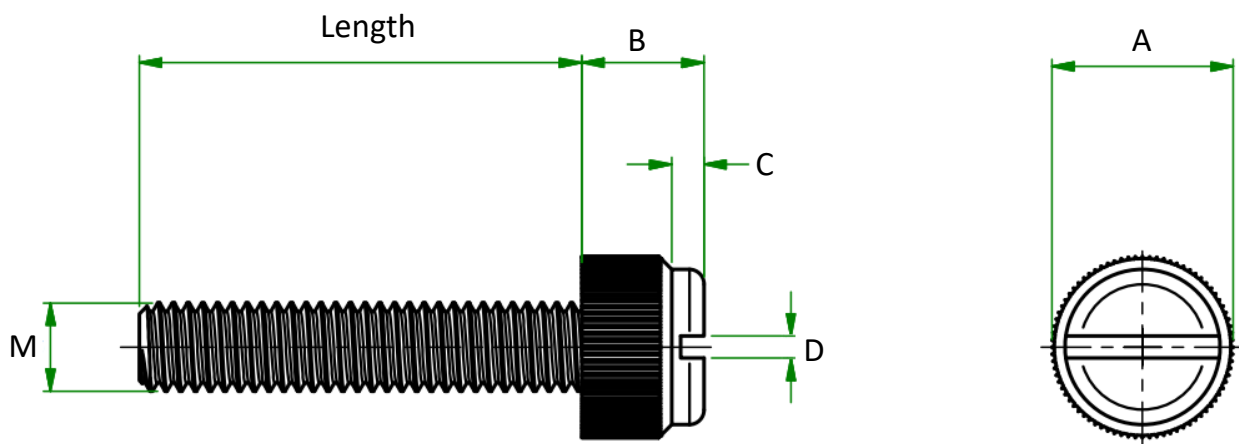
### Product Description

## Metric Thumb Screws

RS Pro nylon thumb screws are plain finished for high toughness and hardness. Thumb screws can be tightened using fingertip pressure or by using the slotted drive.

### Material Specifications

<b>Material</b>	Nylon 6,6
<b>Colour</b>	Natural



### General Specifications

Stock No. [TR Reference]	Thread Size	Length	A (Head Dia.)	B (Head Height)	C	D
2326915	M3 x 0.5	10	8.1	5.5	1.1	1
2326939	M4 x 0.7	10	9.4	6.99	1.53	1.02
2326949	M4 x 0.7	25	9.7	7.1	1.55	0.9
2326960	M5 x 0.8	10	10.16	7.75	1.78	1.27

Dimensions are in millimetres (mm)