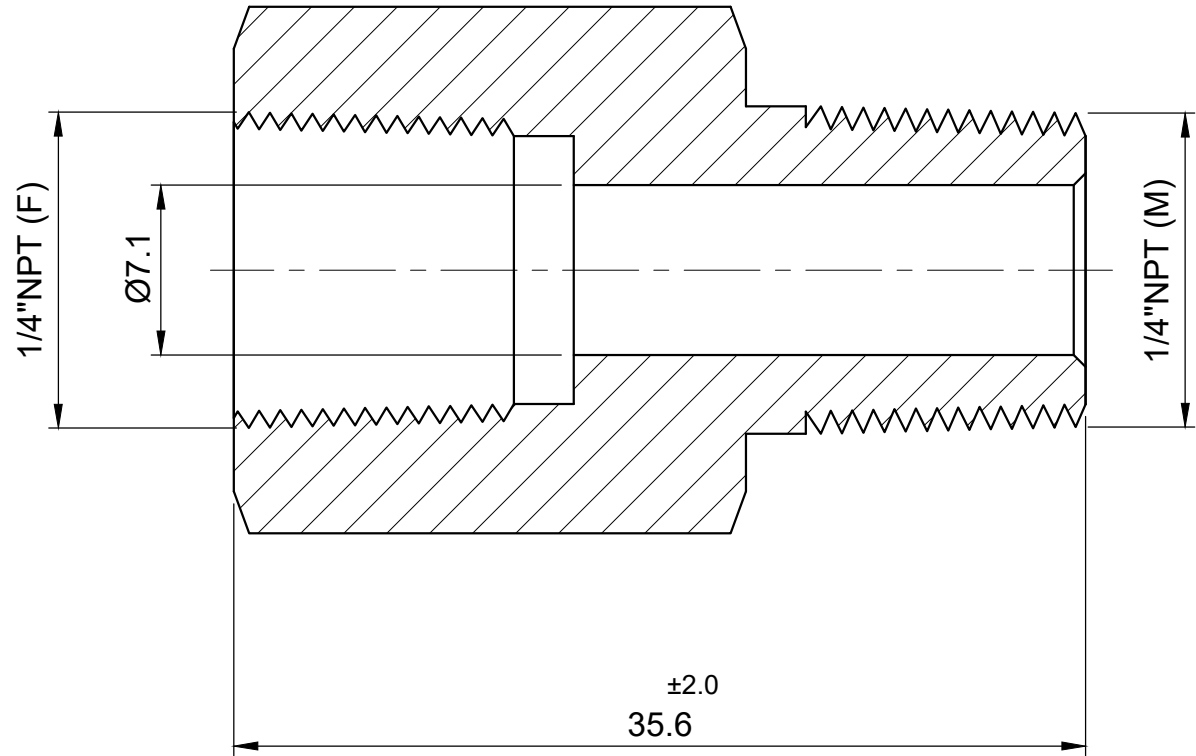
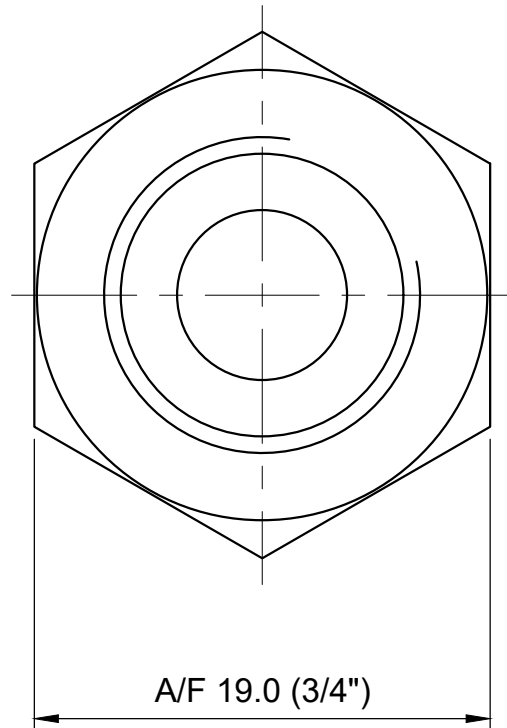


THIS IS PICTORIAL REPRESENTATION  
NOT FOR MANUFACTURING

**CUSTOMER DRAWING**



ALL DIMENSIONS ARE IN MM. DESIGN & DIMENSIONS ARE SUBJECT TO CHANGE WITHOUT PRIOR NOTICE. THIS DOCUMENT IS THE PROPERTY OF INDUSTRIAL VALVES. NO EXPLOITATION OR RELEASE OF ANY TEXT CONTAINED HEREIN OR RELATING TO THIS DOCUMENT IS PERMITTED IN ANY FORM WITHOUT THE WRITTEN CONSENT OF INDUSTRIAL VALVES.

TITLE : <b>ADAPTER</b>			
1/4" NPT(F) x 1/4" NPT(M)			
DRG NO. : <b>IVI-A-4N-SS6</b>			REV.
			00
	SCALE	DRAWN	OPR
	NTS	CHECKED	MRD
		APPROVED	RND
		DATE	20/05/2021

Material: **SS316**



**INDUSTRIAL VALVES**  
(Guaranteed Reliability with Economy)  
www.ivimanifolds.com

WT : x.xx Kg APPROX. SHEET: 01 OF 01

8 7 6 5 4 3 2 1