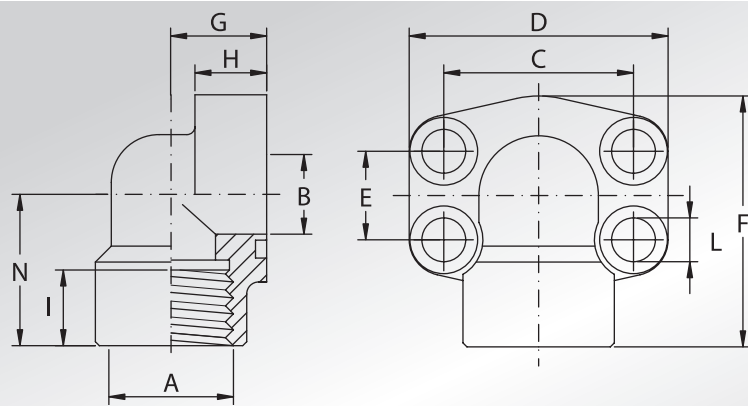


**FLANGE A 90°
FILETTATE
NPT**



**NPT
THREADED
90° FLANGES**



Pressione max di esercizio raccomandata Kg/cm ²	Grandezza	Tipo	Dimensioni											Viti		Or tipo	Peso Kg		
			Dimensions											Screws				Or type	Weight Kg
			A	B	C	D	E	F	G	H	I	L	N	Metric	Unc				

SERIE 3000

345	1/2"	AFS08090N	1/2" NPT	13	38,10	54	17,48	60	20	16	19	9	37	M8x30	5/16"x1"1/4	4075	0,28
345	1/2"	AFS08090N038	3/8" NPT	13	38,10	54	17,48	60	20	16	19	9	37	M8x30	5/16"x1"1/4	4075	0,29
345	3/4"	AFS10090N	3/4" NPT	19	47,63	65	22,23	63	24	18	19	11	38	M10x35	3/8"x1"1/2	4100	0,45
345	3/4"	AFS10090N012	1/2" NPT	13	47,63	65	22,23	63	24	18	19	11	38	M10x35	3/8"x1"1/2	4100	0,48
345	1"	AFS10290N	1" NPT	25	52,37	70	26,19	70	28	19	20	11	43	M10x35	3/8"x1"1/2	4131	0,56
345	1"	AFS10290N034	3/4" NPT	19	52,37	70	26,19	70	28	19	19	11	43	M10x40	3/8"x1"1/2	4131	0,60
276	1"1/4	AFS10490N	1"1/4 NPT	32	58,72	79	30,18	85	34	21	22	11,5	51	M10x40	7/16"x1"3/4	4150	0,89
276	1"1/4	AFS10490N100	1" NPT	25	58,72	79	30,18	85	34	21	20	11,5	51	M10x40	7/16"x1"3/4	4150	0,92
207	1"1/2	AFS10690N	1"1/2 NPT	38	69,85	93	35,71	95	38	25	25	13,5	56	M12x45	1/2"x1"3/4	4187	1,18
207	1"1/2	AFS10690N114	1"1/4 NPT	32	69,85	93	35,71	95	38	25	22	13,5	56	M12x45	1/2"x1"3/4	4187	1,21
207	2"	AFS10890N	2" NPT	51	77,77	110	42,88	110	42	25	28	13,5	65	M12x45	1/2"x1"3/4	4225	2,06
207	2"	AFS10890N112	1"1/2 NPT	38	77,77	110	42,88	110	42	25	25	13,5	65	M12x45	1/2"x1"3/4	4225	2,10
172	2"1/2	AFS21090N *	2"1/2 NPT	63	88,90	120	50,80	118	53	99	30	13,5	59	M12x110	-	4275	8,20

SERIE 6000

414	1/2"	AFS40190N012	1/2" NPT	13	40,49	54	18,24	60	20	16	19	9	37	M8x30	5/16"x1"1/4	4075	0,28
414	1/2"	AFS40190N038	3/8" NPT	13	40,49	54	18,24	60	20	16	19	9	37	M8x30	5/16"x1"1/4	4075	0,29
414	3/4"	AFS40290N	3/4" NPT	19	50,80	70	23,80	70	28	19	20	11	43	M10x40	3/8"x1"1/2	4100	0,69
414	3/4"	AFS40290N012	1/2" NPT	13	50,80	70	23,80	70	28	19	19	11	43	M10x40	3/8"x1"1/2	4100	0,72
414	1"	AFS40390N	1" NPT	25	57,15	79	27,76	85	34	21	22	13	51	M12x45	7/16"x1"3/4	4131	1,11
414	1"	AFS40390N034	3/4" NPT	19	57,15	79	27,76	85	34	21	20	13	51	M12x45	7/16"x1"3/4	4131	1,15
414	1"1/4	AFS40490N	1"1/4 NPT	32	66,68	93	31,75	95	38	25	25	15	56	M14x45	-	4150	1,45
414	1"1/4	AFS40490NL13	1"1/4 NPT	32	66,68	93	31,75	95	38	25	25	13,5	56	M12x45	1/2"x1"3/4	4150	1,45
414	1"1/4	AFS40490N100	1" NPT	25	66,68	93	31,75	95	38	25	22	15	56	M14x45	-	4150	1,50
414	1"1/4	AFS40490N100L13	1" NPT	25	66,68	93	31,75	95	38	25	22	13,5	56	M12x45	1/2"x1"3/4	4150	1,50
414	1"1/2	AFS40590N	1"1/2 NPT	38	79,38	110	36,50	110	42	25	28	17	65	M16x55	5/8"x2"1/4	4187	2,75
414	1"1/2	AFS40590N114	1"1/4 NPT	32	79,38	110	36,50	110	42	25	25	17	65	M16x55	5/8"x2"1/4	4187	2,80
414	2"	AFS40690N	2" NPT	51	96,82	134	44,45	132	45	35	33	21	75	M20x70	3/4"x2"3/4	4225	3,95
414	2"	AFS40690N112	1"1/2 NPT	38	96,82	134	44,45	132	45	35	28	21	75	M20x70	3/4"x2"3/4	4225	4,40

**DESIGNAZIONE PER ORDINE
DESIGNATION FOR ORDER**

Solo flangia
Only flange

Flangia completa di viti metriche, grower e o-ring
Flange complete of metric screws, grower type washers and o-ring

Flangia completa di viti unc, grower e o-ring
Flange complete of unc screws, grower type washers and o-ring

Materiale / Material

S355 **AISI 316L**

AFS...90N **AFX...90N**

AFS...90NM **AFX...90NM**

AFS...90NU **AFX...90NU**

NOTE / NOTES

* Ricavata da barra, viteria non disponibile
* Obtained from bar, screws not available

set viti unc disponibili solo in acciaio al carbonio
unc screws set available only in carbon steel