

## FEATURES

- **Socket to socket  
Right Angled feed  
through connector**
- **IP67 rated  
waterproof  
connector**
- **13/16-28 UN thread  
and have a  
recommended panel  
thickness range of  
0.8 mm to 8.0 mm**
- **Easy to install onto  
predrilled panels  
and machine  
housing**
- **Wide operating  
temperature range -  
40°C / + 105°C**
- **Pin termination**

## RS PRO RJ45 Female 90° Coupler, Shielded

RS Stock No.: 111-6747



RS Professionally Approved Products bring to you professional quality parts across all product categories. Our product range has been tested by engineers and provides a comparable quality to the leading brands without paying a premium price.

### Product Description

From RS PRO, this waterproof RJ45 panel mounting socket is ideal for applications in challenging environments. With a robust bulkhead and screw on jam nut, the RJ45 connector can fit most panels, and incorporates a silicone O-ring to create a sealed and durable connector point for networking applications. The connector is also shielded, and so suitable for use in environments where EMI interference might be a concern. For Cat5e Ethernet connections, this plastic panel-mount feed-through connector is a high-quality solution.

### General Specifications

<b>Type</b>	90° Coupler
<b>Interface Type</b>	RJ45 Female
<b>Shield Type</b>	Shielded
<b>Colour</b>	Black
<b>Housing Material</b>	Thermoplastic
<b>LAN Category</b>	CAT5E/CAT6
<b>Number of Ports</b>	2
<b>Application</b>	Wireless outdoor AP, Outdoor LED and display lighting, Marine, Automotive, Military

### Mechanical Specifications

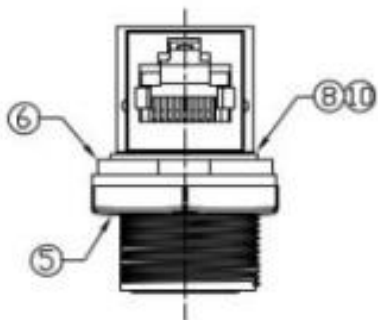
<b>Length</b>	36.9mm
<b>Width</b>	29.1mm
<b>Depth</b>	36.2mm

### Operation Environment Specifications

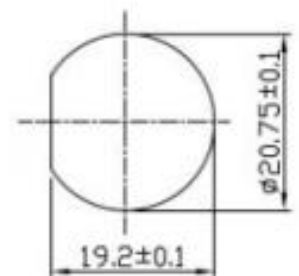
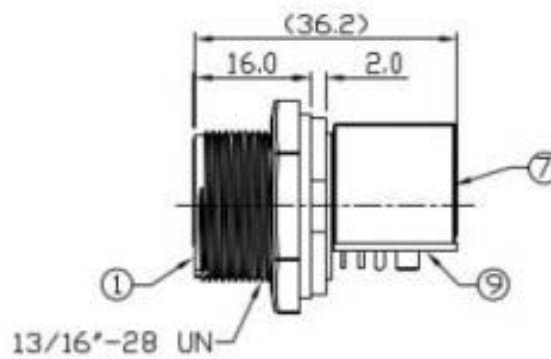
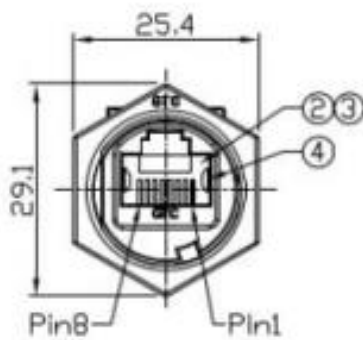
<b>Operating Temperature</b>	-40°C to +105°C
------------------------------	-----------------

## Approvals

<b>Compliance/Certifications</b>	13/16-28 UN/2011/65/EU and 2015/863 /RoHS Compliant
----------------------------------	---



Mating Parts:  
111-6737  
111-6738



Recommend Panel Cut-Out