

Datasheet

RS PRO Compact 3-phase, regulated, 960 W

Stock No: 192-7577



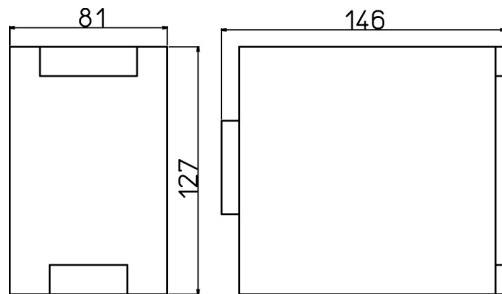
Technical Specifications:

Input	
Number of phases	3
Rated voltage U_N	3 × AC 400–500 V
Operation voltage range	3 × AC 340–550 V
Line frequency	47–63 Hz
Rated current I_N	2.4 A @ AC 400 V / 2.1 A @ AC 500 V
Inrush current	<50 A
External fuse	Mini-circuit breaker: 3 × B 16 A, C 10 A (required)
Power factor correction P.F.C.	>0.7

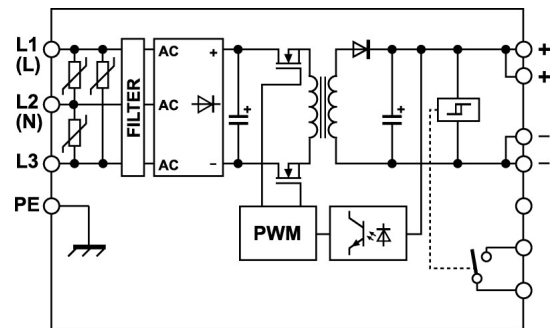
Features & Benefits:

- 1 piece
- Power supply
- Compact 3-phase, regulated, 960 W
- Primary switchmode power supply, PFC, 3-phase
- Input: Wide range input AC 340 - 550 V
- Output: 24 V, adjustable

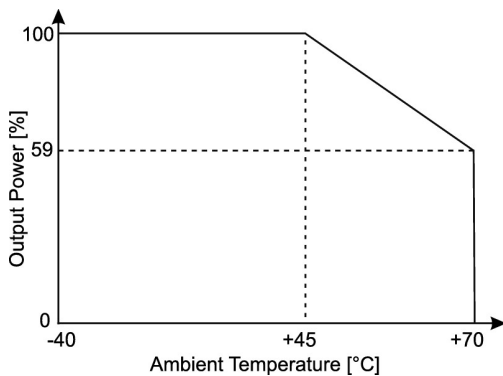
Dimensions



PIN assignment

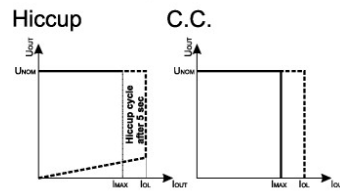


Derating

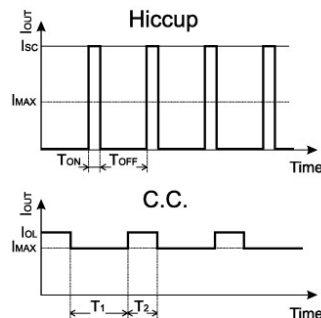


Short circuit characteristics

Limitation output characteristic



Short circuit conditions



Technical Data

Input	
Number of phases	3
Rated voltage U_N	3 × AC 400–500 V
Operation voltage range	3 × AC 340–550 V
Line frequency	47–63 Hz
Rated current I_N	2.4 A @ AC 400 V / 2.1 A @ AC 500 V
Inrush current	<50 A
External fuse	Mini-circuit breaker: 3 × B 16 A, C 10 A (required)
Power factor correction P.F.C.	>0.7

Output	
Rated voltage U_N	DC24V
Rated current I_N	40 A
Max. output current (limited current)	44 A
Max. output current (HICCUP, 5 sec)	60 A
Heat dissipation	<78 W
Setting range $U_{out\ min.}/U_{out\ max.}$	24-28 V
Load regulation	<1 %
Ripple and Noise	<100 mV pp
Hold up time	>10 ms @ AC 400 V / >15 ms @ AC 500 V
Status indication DC ON LED green	≥21.6 V
Status indication DC LOW LED red	≤21.6 V
Parallel / redundant mode	max. 2 devices / via external decoupling diodes e.g. 722999
Efficiency	>92.5 %
Over voltage protection	>DC 33 V ($U_A=24$ V)
Rated over load protection	> 90°C, auto-reset
Short circuit	adjustable: Hiccup, current limiting, C.C. Modus

Technical Data

Monitoring	
DC ON Control (Rdy)	N/O contact
Switching voltage	AC 300 V / DC 150 V
Switching current	AC/DC 1 A
Switching capacity	300 VA / 30 W
Isolation voltage	AC 500 V

General	
Switching frequency	approx. 70-110 kHz
Insulation voltage input / output	DC 4.2 kV
Insulation voltage input / ground	DC 2.2 kV
Insulation voltage output / ground	DC 750 V
Derating	>45 °C: -15 W/°C
Operation temperature range	-40 °C ... +70 °C (UL certified up to +45 °C)
Storage temperature range	-40°C...80°C
Relative air humidity	20 – 90 % RH, not condensing
Cooling	Air convection, forced cooling >50°C, 50 mm distance top/bottom
Housing material	Aluminum
Mounting	DIN rail mountable TS35 (EN 60715)
Installation position	vertical
Shock resistance	30 g 6 ms, 20 g 11 ms, 3 shocks/direction, 18 shocks in total, IEC60068-2-27: 2008
Vibration resistance	5 – 17.8 Hz: ±1.6 mm, 17.8 – 500 Hz: 2 g 2 hours/axes X,Y,Z, IEC 60068-2-6: 2007
Protection class	IP20 (IEC 529 / EN 60529)
Protection class	I
Over voltage category	III
Degree of pollution	2
Weight	1,3 kg/piece
Connection type	Screw terminal 0.20 mm ² – 10.0 mm ² max. 0.62 Nm
Dimensions (w × h × d)	80×127×147,5 mm

Technical Data

General	
Dimensions (w × h × d)	80×127×147,5 mm
Certifications	cULus (E249179)
Standards	IEC 950
	EN 60950
	EN 61000-4-2/3/4/5/6/11
	EN 61000-6-2
	EN 61000-6-4
	EN 50178
	EN 61558
	EN 50081-1
	EN 50082-2
	EN 55022 Class B
MTBF	>500000 h: SN29500 / >150000 h: MIL HDBK 217F
PU	1 piece