

# 2004 TOOL TROLLEY

**Body:**

- > Dimensions: H 985 x W 775 x D 475 mm
- > Working platform in ABS, with 3 compartments for small parts
- > Storage compartment with perforated sheet (Euro perforation 10 x 38 mm), two removable drawers for small parts and door on the handle side
- > With handle for easy pushing, pulling and turning
- > Front side with Euro perforation 10 x 38 mm to fix hooks and tools
- > Heel and impact protection for your safety
- > Sheet steel, corrosion resistant and scratch-proof powder-coated, GEDORE blue

**Drawers:**

- > Central locking with cylinder lock
- > Wide drawers (W 480 x D 400 mm) fully extendable, removable
- > Each drawer and storage compartment with safety locking, single-hand operation
- > Ball-bearing guide rails
- > Can be individually equipped with lengthwise and crosswise dividers (can be ordered individually)
- > Load capacity per drawer 40 kg, bottom heavy-duty drawer 60 kg (apart from 2004 1000)
- > Sheet steel, corrosion resistant and scratch-proof powder-coated, GEDORE blue

**GEDORE High-performance chassis:**

- > Total load capacity 500 kg
- > 2 high-performance wheels on roller bearings (fixed castors Ø 200 mm)
- > 2 smooth running wheels on ball bearings (swivel castors Ø 100 mm), both with total brake
- > The GEDORE axle construction secures smooth running, manoeuvrability and track-keeping also in case of maximum loads

**Accessories:**

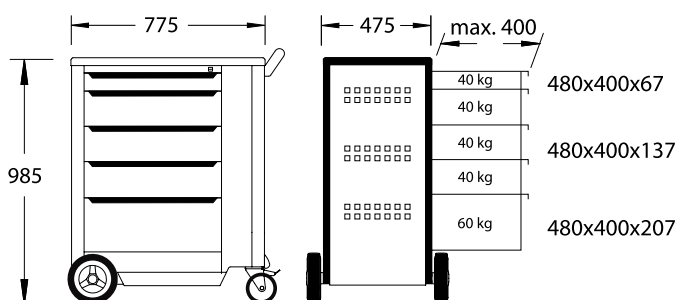
- > Length- (LD) and crosswise (CD) dividers from zinc-plated sheet steel

**Options:**

- > Can be equipped with GEDORE tool modules (1500 ES/1500 CT)
- > Optionally extendable with GEDORE tool chests, rear panels and tool holders
- > Further drawer combinations on request
- > Special colours and designs available on request
- > Delivery without tools and accessories



2004 0131



2004 0321

