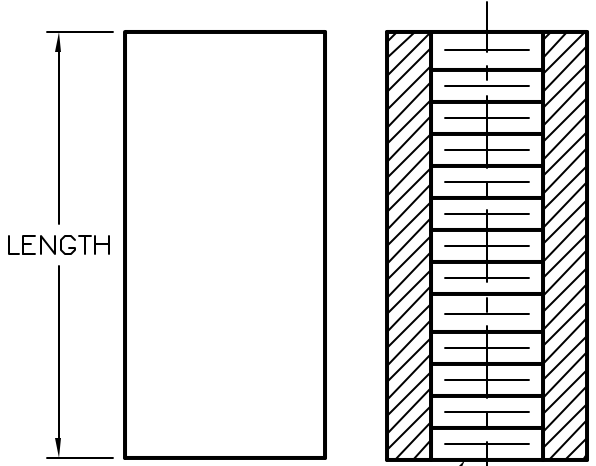
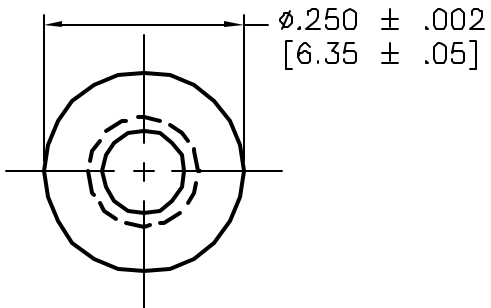


ALL RIGHTS RESERVED. NO PORTION OF THIS PUBLICATION, WHETHER IN WHOLE OR IN PART CAN BE REPRODUCED WITHOUT THE EXPRESS WRITTEN CONSENT OF SPC TECHNOLOGY.

REVISIONS			DDC. NO. SPC-F004 * Effective: 12/21/98 * DCP No: 680					
DCP #	REV	DESCRIPTION	DRAWN	DATE	CHECKD	DATE	APPRVD	DATE
201B	A	RELEASED	JN	01/20/09	JWM	01/20/09	JWM	01/20/09



SEE THE CHART FOR THREAD SIZE

SPC TYPE NO.	THREAD SIZE	LENGTH (INCHES)
SPC21591	4-40	0.250
SPC21595		0.375
SPC21590		0.500
SPC21596		0.625
SPC21594		0.750
SPC21589		1.000
SPC21592		1.500
SPC21593		2.000
SPC21602	6-32	0.375
SPC21598		0.500
SPC21603		0.625
SPC21601		0.750
SPC21597		1.000
SPC21599		1.500
SPC21600	2.000	
SPC21606	8-32	0.750
SPC21604		1.500
SPC21605		2.000

- NOTES:**
- MATERIAL: ALUMINUM, QQ-A-225/3, ALLOY 2011-T3
 - FINISH: CLEAR IRIDITE (MIL-C-5541)
 - SPACERS OVER 1.000" LONG ARE TAPPED 0.375 DEEP EACH END.

SPC-F004.DWG

DISCLAIMER:
ALL STATEMENTS AND TECHNICAL INFORMATION CONTAINED HEREIN ARE BASED UPON INFORMATION AND/OR TESTS WE BELIEVE TO BE ACCURATE AND RELIABLE. SINCE CONDITIONS OF USE ARE BEYOND OUR CONTROL, THE USER SHALL DETERMINE THE SUITABILITY OF THE PRODUCT FOR THE INTENDED USE AND ASSUME ALL RISK AND LIABILITY WHATSOEVER IN CONNECTION THEREWITH.



TOLERANCES UNLESS OTHERWISE SPECIFIED DECIMALS .XXX ± .005 [0.15]	DRAWN BY:	DATE:	DRAWING TITLE:			
	Jason Nash	01/20/09	ROUND STANDOFF, THREADED, ALUMINUM			
	CHECKED BY:	DATE:	SIZE	DWG. NO.	ELECTRONIC FILE	REV
	Jeff McVicker	01/20/09	A	TA-1067	TA-1067.DWG	A
APPROVED BY:	DATE:	SCALE: NTS		U.O.M.: INCHES [mm]	SHEET: 1 OF 1	
Jeff McVicker	01/20/09					