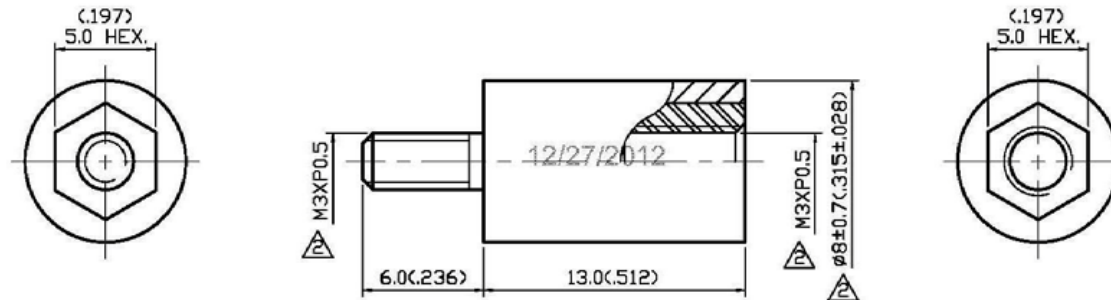


NO	DESCRIPTION	DATE
⚠	DEL 601-136	12.29.06'
⚠	∅8.0 → ∅8±0.7 DEL ∅2.8 ; ∅2.5	09.20.07'
⚠	NONE → NICKEL	12.26.12'



P/N: 6539403

APPROVED by \_\_\_\_\_ DATE: \_\_\_\_\_

NO	DESCRIPTION	MATERIAL	Q'TY	FINISH	⚠
3	NUT	BRASS	1	NICKEL	⚠
2	INSULATION	NYLON 66	1	NONE	
1	SCREW	BRASS	1	NICKEL	⚠
	DESCRIPTION	MATERIAL	Q'TY	FINISH	

DESCRIPTION		NYLON SPACER		品名		95-79 ⚠ NICKEL		日期	DATE	版次	REV.
製圖	DRAWN	TOLERANCE	品名	95-79 ⚠ NICKEL		日期	DATE	版次	REV.		
	Yoko	.X ±0.2	TITLE	\ROHS COMPLIANT		10.26.99'			A-3		
檢圖	CHECK	.XX ±0.1	單位	UNIT	DWG.NO. 95-0076						
	Angela	.XXX ±0.05	mm(in)								
認定	APPROVAL	ANGLE ±5°	比例	SCALE							
	Angela		4:1								