

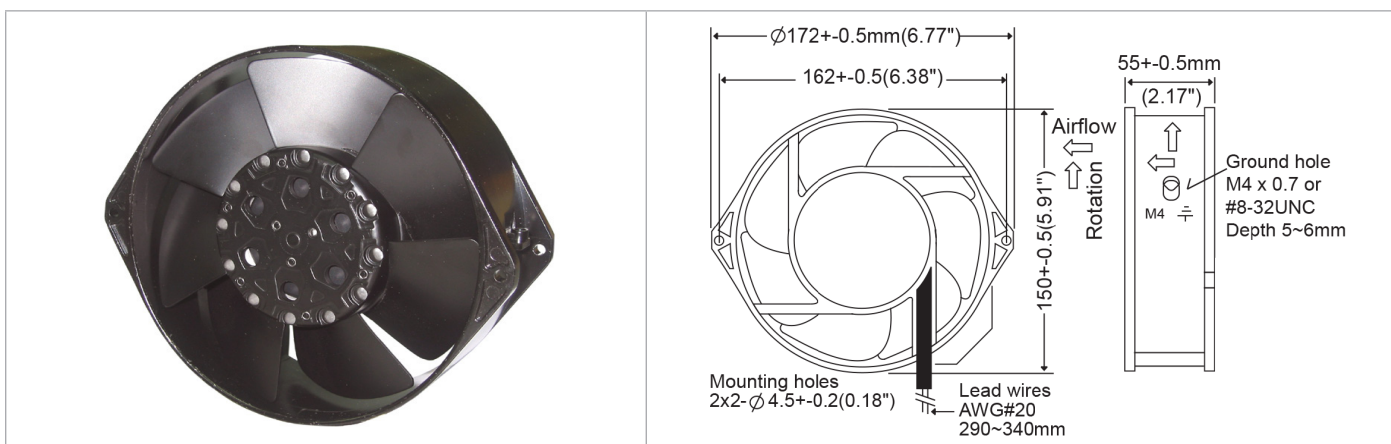


Datasheet

RS PRO AC AXIAL FAN 230VAC 200×220×70mm IP 55 METAL

Stock number: 175-9800

EN



Frame	Diecast Aluminum	<u>Operating Temperature</u> -30C ~ +80C (non-condensing) <u>Storage Temp</u> -40C ~ +100C <u>Life Expectancy</u> 50,000 hours (55C) <u>Environmental Protection</u> IP55 Weight: 1.2 kg (2.65 lbs)	
Impeller	Metal Alloy		
Connection	2x Lead Wires		
Motor	AC Shaded pole, Thermal protection		
Bearing System	Dual ball bearing		
Insulation Resistance	>100MOhm at 500VDC		
Dielectric Strength	> 60 seconds at 1500VAC		

Model Number	175-9800
Speed (RPM)	2750 / 3200
Airflow (CFM)	183 / 210
Noise Level (dB)	54
Volts AC	230
Voltage Range	200-240
Watts	47 / 42
Max. Static Pressure	0.49"/0.42" H ₂ O
Curves	2 (50Hz) / 1 (60Hz)