

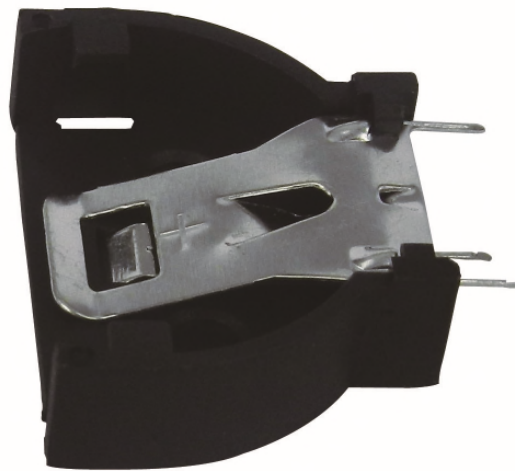


ENGLISH

Datasheet

RS Article:1854722

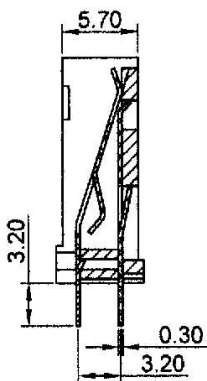
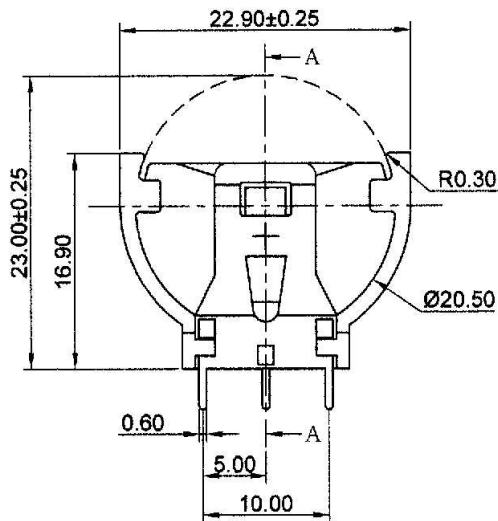
RS Pro Battery Holder



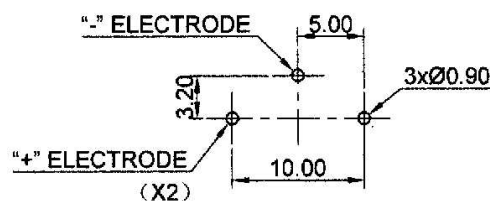
1. Preface:

The purpose of this product specification is to Dimension and drawing

CR2032



SECTION A-A



PCB MOUNTING LAYOUT

NOTES:

1. MATERIAL:

HOUSING : NYLON 66+15%GF UL94V0 BLACK COLOR

CONTACT : PHOSPHOR BRONZE 0.30MM THK

TIN PLATED OVER NICKEL

2. CURRENT RATING : 2A (AC/DC)

3. VOLTAGE RATING : 500V (AC/DC)

4. CONTACT RESISTANCE : 30 MILLIOHMS

5. INSULATION RESISTANCE : 1000 MEGAOHMS

6. TEMPERATURE RANGE : -55°C TO $+105^{\circ}\text{C}$

7. HUMIDITY : 40°C AND 90-95% RH FOR 96 HOURS

8. RoHS COMPLIANT

Measure: mm