

Datasheet

ENGLISH

RS PRO Miniature Electric Linear Actuator

Stock No:
1774499
1774504
1774505
1774509



Features

- ◆ It features its heavy load capability and high speed design, which is suitable for various industrial applications requiring rapid movement, such as agricultural and construction machine. The adjustable limit cam is equipped for users to fine-tune the stroke based on their needs. Ball screw or ACME screw threaded spindle is available for users to choose.
- ◆ Main applications : Industrial
- ◆ Input voltage : 24V DC / 12V DC
- ◆ Max. rated load : 3,500N (ACME), 7,000N (Ball screw)
- ◆ Max. static load : 4,500N (ACME), 13,600N (Ball screw)
- ◆ Max. current : 26.4 A @ 12V DC
- ◆ Max. speed : 67.1 mm/sec @ no load
- ◆ Stroke : 102~610 mm
- ◆ Duty cycle : 25%, max 2 min continuous operation in 8 min.
- ◆ IP protection level : IP54
- ◆ Color : Black
- ◆ Certified : CE marking, EMC Directive 2014/30/EU
- ◆ Overload protection by clutch
- ◆ Power wire length : 250mm (with tinned wires)
- ◆ Operating temperature : -25°C~+65°C
- ◆ Extension tube material : Iron (ACME) or stainless steel (Ball screw)

Options

- ◆ Potentiometer (POT) analog positioning feedback
- ◆ IP65
- ◆ Adjustable limit switches (Not allowed to adjust if protection level is IP65)
- ◆ Manual drive connector* (MD, can be driven by hand with a 8mm hex bit screwdriver or electric screwdriver)

*Remarks: MD is compatible with **IP54** and Gear ratio **5:1**、**10:1** or **20:1**.
Meanwhile, not compatible with **IP65**, **Limit switches** nor **POT**.

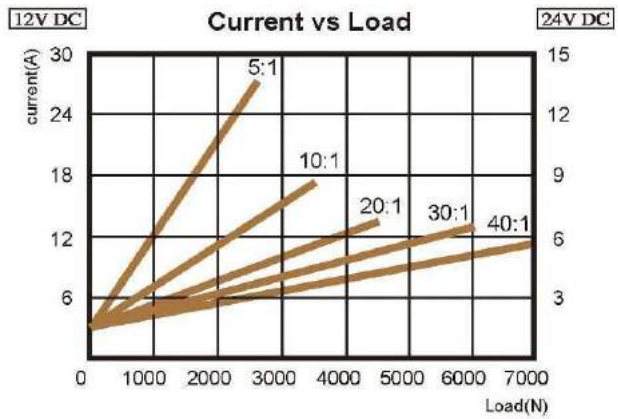
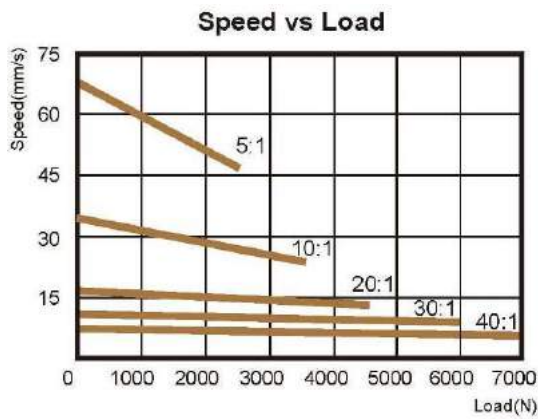
Wiring

- ◆ Please refer to User Guide.

Performance Data

◆ Ball Screw

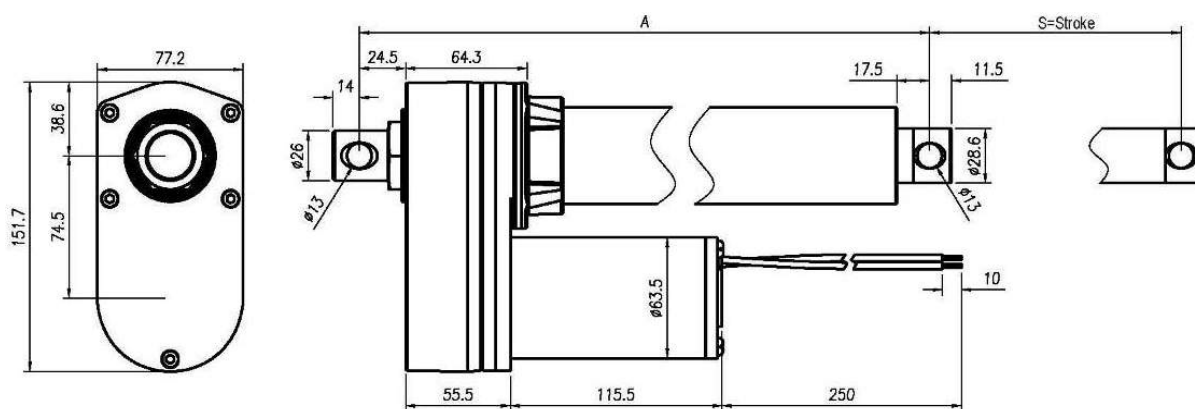
Model No.	Push/Pull Max. (N)	Speed (mm/s)		Current (A)			
		No load	Full load	No load		Full load	
				12V	24V	12V	24V
177-4505,177-4509	2500	67.1	47.2	3.4	2.2	26.4	13.2
	3500	33.5	26.7	3.4	2.2	17.6	8.8
177-4499,177-4504	4500	16.8	14.3	3.4	2.2	13.2	6.6
	6000	11.2	9.8	3.4	2.2	12.1	6.1
	7000	8.4	7.4	3.4	2.2	11.0	5.5



Dimensions

◆ Standard

	4"	6"	8"	10"	12"	18"	24"
Stroke ($\pm 2.5\text{mm}$)	102	153	203	254	305	457	610
Retracted Length ($A \pm 3.8\text{mm}$)	262	313	364	414	465	668	821



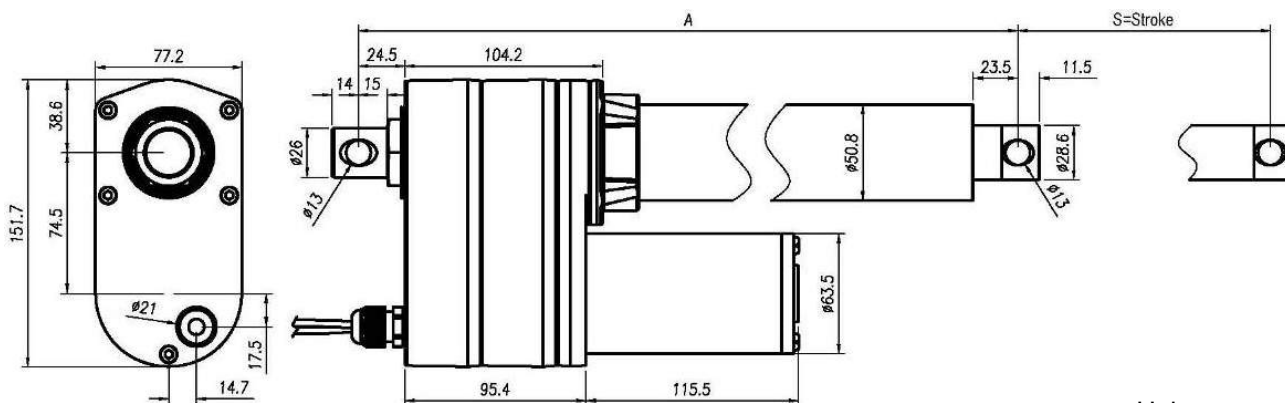
Unit: mm

◆ Only Potentiometer(POT)

	4"	6"	8"	10"	12"	18"	24"
Stroke ($\pm 2.5\text{mm}$)	102	153	203	254	305	457	610
Retracted Length ($A \pm 3.8\text{mm}$)	302	353	404	454	505	708	861

◆ Only Limit Switches or Limit Switches and POT

	4"	6"	8"	10"	12"	18"	24"
Stroke ($\pm 2.5\text{mm}$)	102	153	203	254	305	457	610
Retracted Length ($A \pm 3.8\text{mm}$)	359	410	460	511	613	765	918

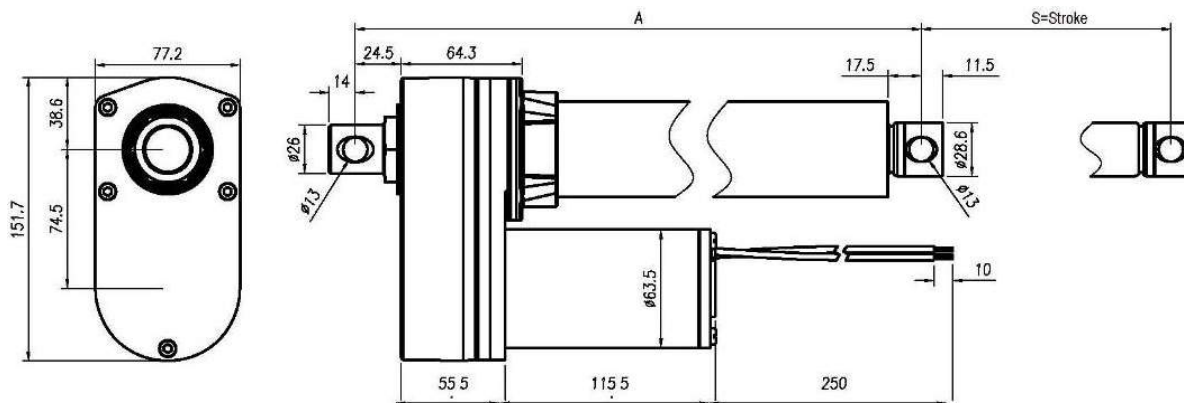


Unit: mm

Ball Screw

◆ Standard

	4"	6"	8"	10"	12"	18"	24"
Stroke (±2.5mm)	102	153	203	254	305	457	610
Retracted Length (A±3.8mm)	302	353	404	455	506	735	888



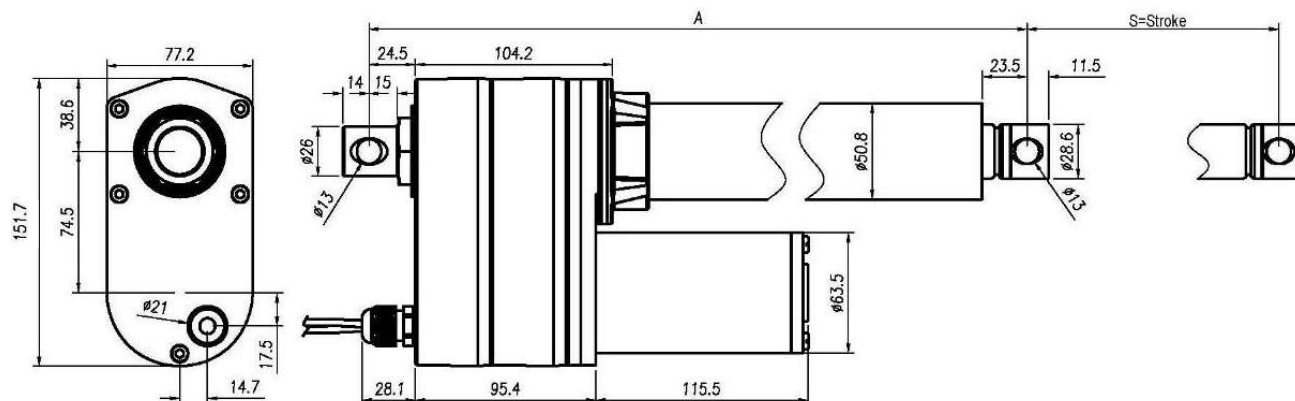
Unit: mm

◆ Only Potentiometer(POT)

	4"	6"	8"	10"	12"	18"	24"
Stroke (±2.5mm)	102	153	203	254	305	457	610
Retracted Length (A±3.8mm)	342	393	444	495	546	775	928

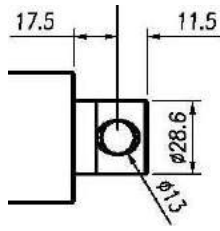
◆ Only Limit Switches or Limit Switches and POT

	4"	6"	8"	10"	12"	18"	24"
Stroke (±2.5mm)	102	153	203	254	305	457	610
Retracted Length (A±3.8mm)	399	450	501	552	680	832	985



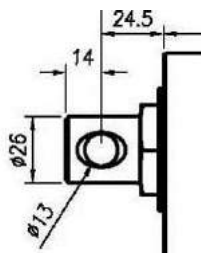
Unit: mm

◆ Front connector

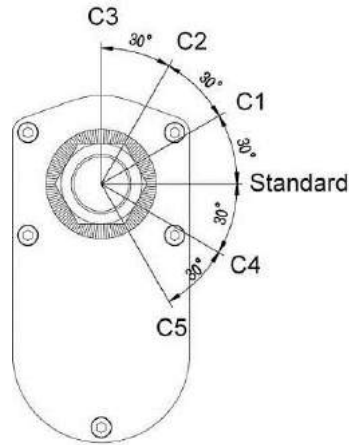


Unit: mm

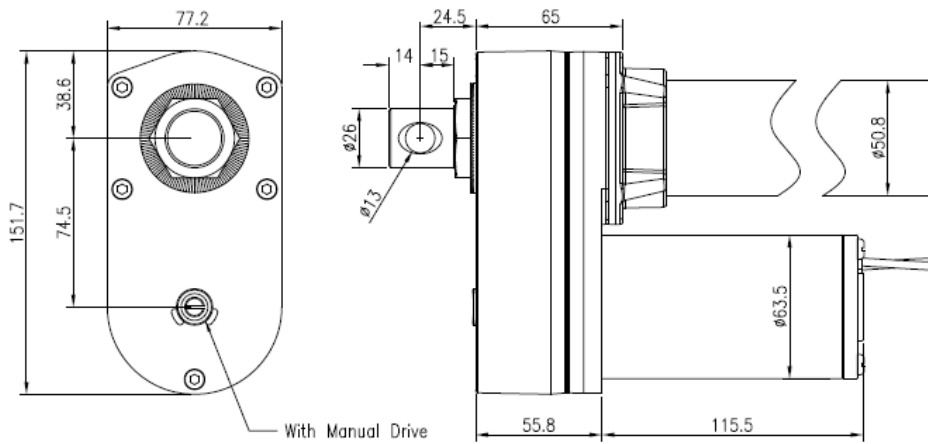
◆ Rear connector and the orientation of clevis



Unit: mm



◆ Manual drive connector (MD)



*user needs 8mm hex bit screwdriver (or electric screwdriver) to drive the motor