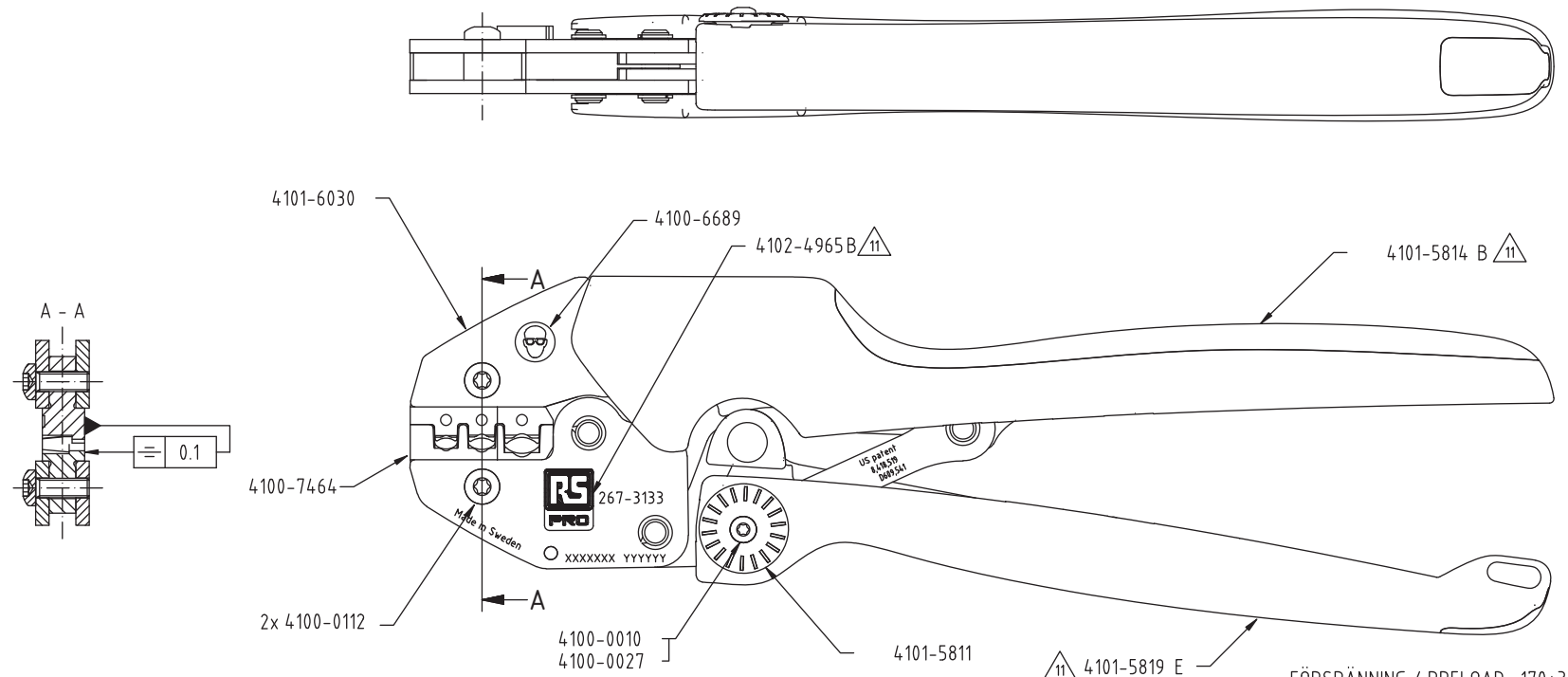


Rev	Change order	Change: A = Added W = Was D = Deleted	Date	Sign
11	3918	C to RS-Pro design	201009	SE

LASERMÄRKNING/LASER MARKING:
 TEXTFONT: GEN-ISO
 Datumkod / Date code "YYYYYY"
 Serienummer / Serial number "XXXXXXX"



FÖRSPÄNNING / PRELOAD : 170±30 N

TOLKMÅTT / GAUGE DIMENSIONS :		
URTAG NEST	GÄTOLK GO	STOPPTOLK NO GO
RÖD/RED	∅ 2.36	∅ 2.56
BLÅ/BLUE	∅ 2.56	∅ 2.76
GUL/YELLOW	∅ 3.55	∅ 3.75

4101-2610
 4101-5828
 4102-6067 D - placering position D
 4102-6096

Packas enligt förpackningsritning 4101-6036
 Packed according to drawing 4101-6036

Material		Behandling/Treatment			Status	
Konstr./Design CF		Ritad/Drawn TGW	Datum/Date 2011-06-28	Skala/Scale 1:1	Kontr./Checked	Godk./Approved Work.utc.
Benämning/Denomination KRIMPTÅNG 267-3133 CRIMPING TOOL KAA 0760				Vikt/Véigt.grun 43002364		Art grp 012
RS PRO				Ritn nr/Drawing no 43002364		REV 011