

FEATURES

- Individual prototyping kits include all necessary components
- ABS construction
- medical analysers
- Communications equipment.

RS PRO White ABS Project Box, 291 x 264 x 86mm

RS Stock No.: 237-4460



RS Professionally Approved Products bring to you professional quality parts across all product categories. Our product range has been tested by engineers and provides a comparable quality to the leading brands without paying a premium price.

Product Description

This range of large ABS project boxes from RS PRO offers an excellent selection of plastic enclosures, ideal for projects within electronics. These durable boxes are made of ABS plastic, offering scratch, heat and impact resistance properties. These large ABS boxes include all the necessary components to get started with a project, whilst offering layout flexibility of internal components. These high quality boxes can be used to house electronic components such as PCB (printed circuit boards), wires, resistors and more, whilst providing superb protection.

General Specifications

Body Material	ABS
Colour	White
Ventilated	No
Carrying Handle	No

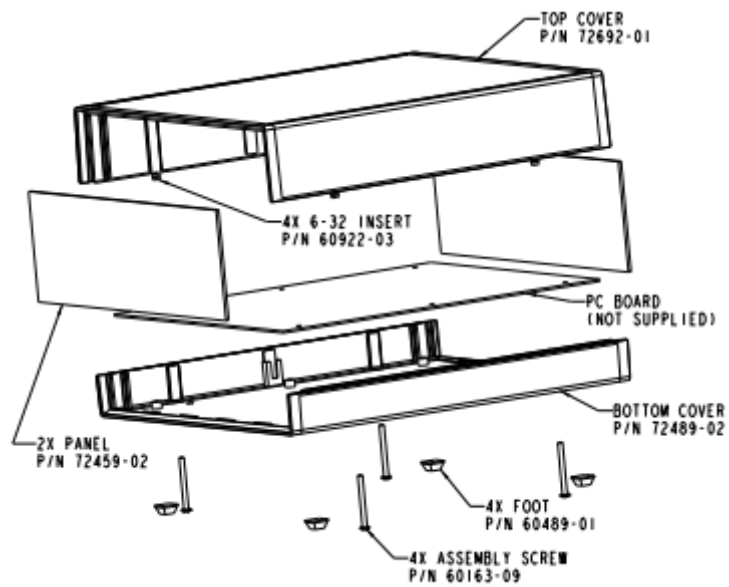
Mechanical Specifications

External Length	291mm
External Width	264mm
External Height	86mm
External Dimensions	291mm x 264mm x 86mm

Approvals

Standards Met	RoHS Compliant
----------------------	----------------





5