



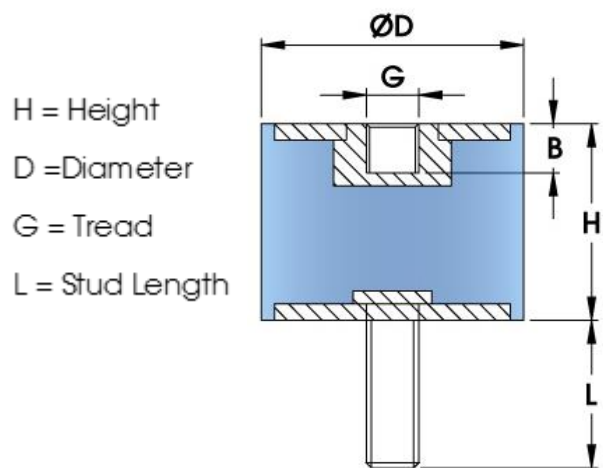
ENGLISH

Stainless Steel Male/Female Cylindrical Bobbins

Cylindrical Bobbin mounts are simple and cost-effective vibration isolators that can be used in either compression and/or shear.

Applications:

- Static generator engines
- Compressors
- Motors



| Item Code | Description | D (mm) | H (mm) | G x L (mm) | Max Compression Load (kg) | Max Shear Load (kg) |
|-----------|--|--------|--------|------------|---------------------------|---------------------|
| 1854478 | Male/Female 55 ShA Stainless Steel (316 grade) | 20 | 15 | M6x18 | 22.44 | 7.36 |
| 1854483 | Male/Female 55 ShA Stainless Steel (316 grade) | 20 | 20 | M6x18 | 20.68 | 7.36 |
| 1854489 | Male/Female 55 ShA Stainless Steel (316 grade) | 40 | 35 | M10x25 | 86.06 | 29.52 |