

FEATURES

- Rated currents up to 20A
- General purpose filtering performance
- The compact size can be applied to various situations.
- YB12 filters are also available as two-stage filters(YB35) in noisy environment

RS PRO 6A 250 V ac, Chassis Mount Power Line Filter - 2 Phase

RS Stock No.: 237-8705



RS Professionally Approved Products bring to you professional quality parts across all product categories. Our product range has been tested by engineers and provides a comparable quality to the leading brands without paying a premium price.

Power Line Filters

Product Description

- Electrical and electronic equipment
- Medical equipment
- Datacom equipment
- Office automation equipment

General Specifications

The compact size can be applied to various situations. YB12 filters are also available as two-stage filters (YB35) in noisy environment. There are a variety of parts and combinations to meet different customer's EMC tests. Customized products according to customer's requirements.

Mechanical Specifications

size	44X50X30mm (L X W X H)
weight	0.133kgs

Electrical Specifications

Rated Voltage Max.	115/250VAC
Operating frequency	50/60Hz
Rated currents	6A
Hipot Rating	L-N 500VDC L/N-G 2250VDC

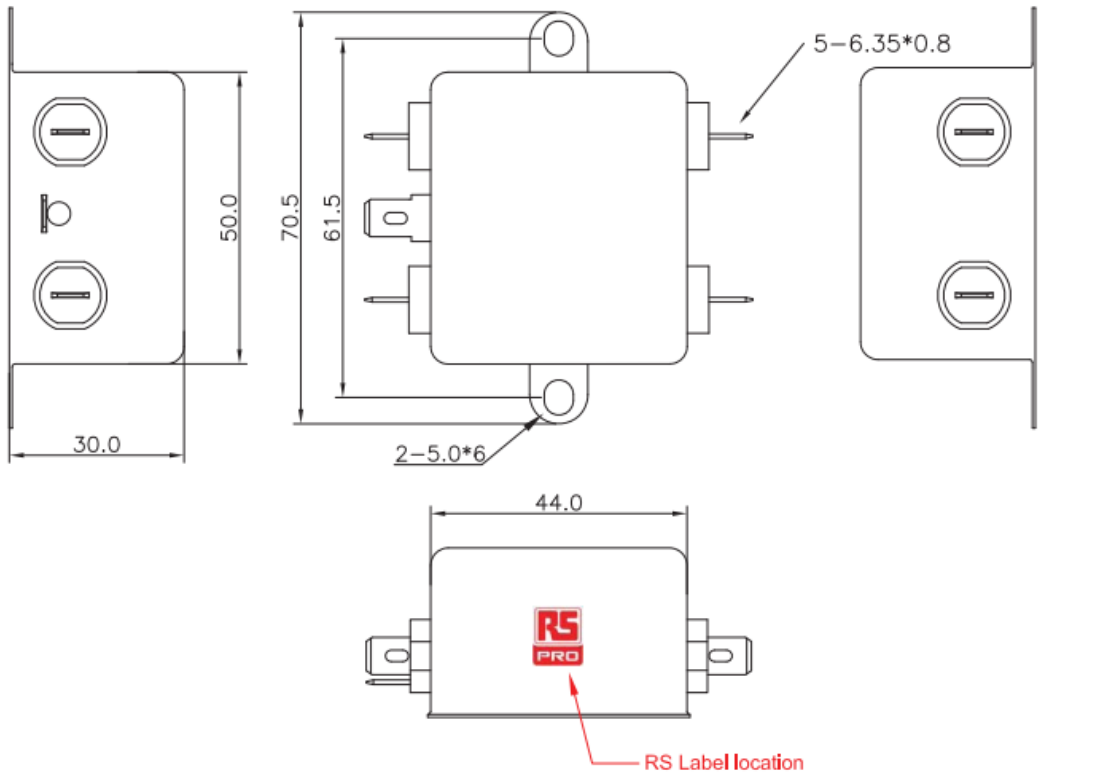
Protection Category

according to IEC 60529 IP40

Approvals

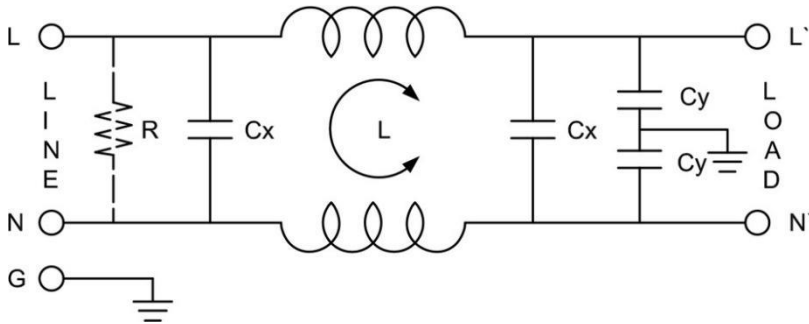
Declarations	UL;TUV;CE;CQC;
Standards Met	UL1283, CSA C22.2 No.8; IEC/EN 60939;; CQC GB 15288/GB 15287-2008

Physical Dimensions:



0 ~ 10	±0.3
10 ~ 100	±0.5
100 ~ 150	±0.8
150 ~ 200	±1.0

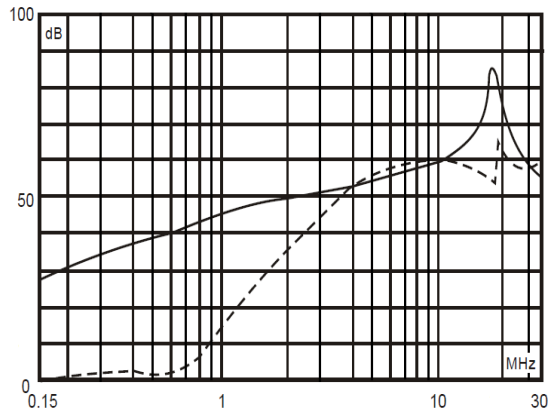
Electrical Schematic:



Insertion loss table(In 50ohm system according IEC/CISPR No.17)

———— Common mode - - - - - Differential mode

6A



packaging

