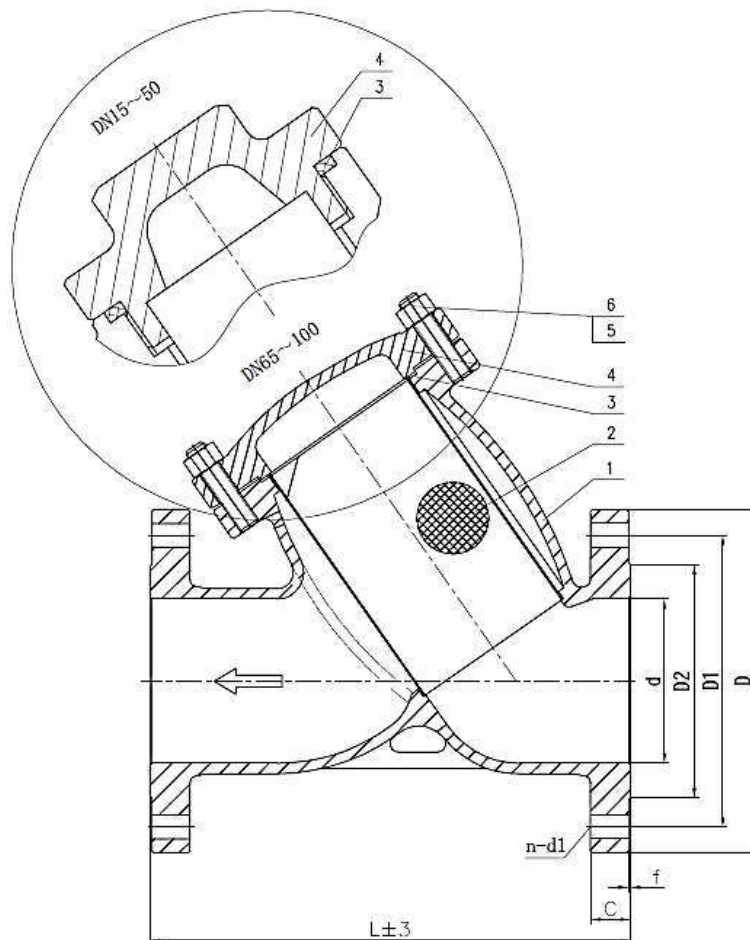


JIS 10K Cast Steel Flange End Y-Strainers WCB

Features

- Size: 1" – 4" (DN25 - DN100)
- JIS 10K Flange Connection
- Working Pressure: 10kg/cm²
- Temperature Range: -29°C to 150°C
- Screen: 1.0mm (Mesh Size 40)
- Applicable Medium: General oil, gas & water applications
- Used to collect containment and particles



Technical Specifications

1. Basic design and manufacture according to JIS B2071.
2. Flange connection per JIS B 2220.
3. Inspection and tested according to JIS B2003.

Main Technical Parameter			
Normal pressure		10	K
Test pressure	Shell test	3.0	MPa
	Seal test	-	
	Gas test	-	
Max working temperature		-29 to 150	°C
Applicable Medium: General oil, gas & water			