

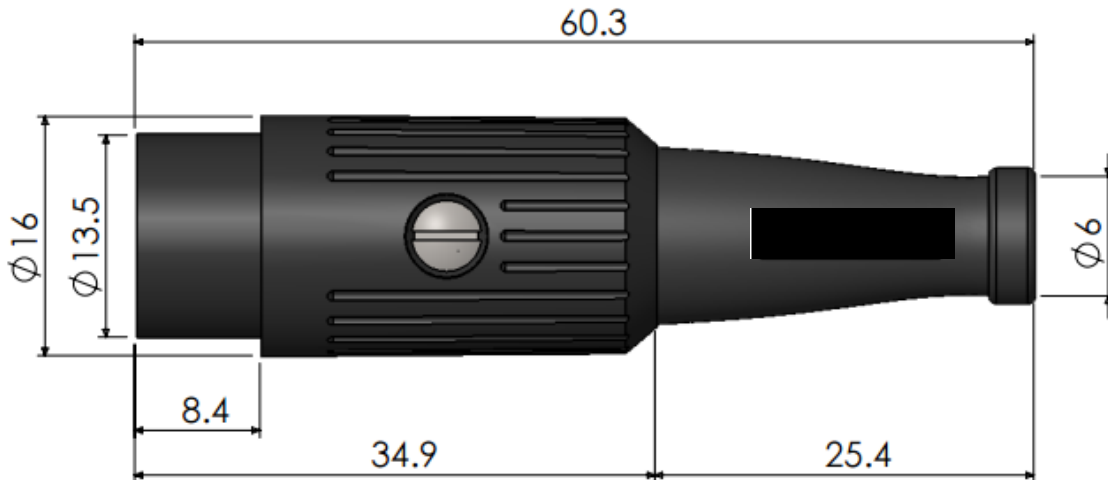


ENGLISH

Datasheet 5 Pole Male DIN Connector

RS Stock number [110-2810](#)

Drawing(mm):



Description:

A fully screened robust range of DIN connectors for use in instrumentation and audio applications. Available in non-reflective electrically conductive matt black. Robust construction incorporating cable grip and strain relief.

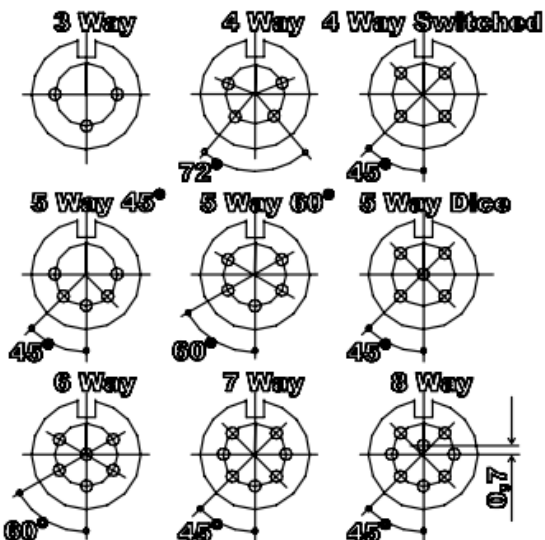
Manufactured to DIN 41524, 45322, 45326, 45327 and 45329

5 Pole Male DIN Connector

RS Stock number [110-2810](#)

Specifications:

Materials	
Housing	Zinc Alloy
	Non-reflective matt black Plated Over Copper
Moulding	Nylon
Contacts	Brass Silver Plated
Cable Clamp	Mild steel Zinc Plated
Grommet	Black P,V,C
Electrical	
Rated Voltage	34 V a.c. or d.c.
Current Rating	2.A
Test Voltage	500 V r.m.s.
Insulation Resistance	103 MΩ min at 100 V d.c
Contact Resistance	10 mΩ max
Capacitance (mated)	3pF
Climatic	
Climatic category	25/070/21
Temperature Range	-25°C to +70°C
Damp heat, steady state	21 days



Type	Deltron No
3 Way	611-0300
4 Way	611-0400
5 Way 45°	611-0500
5 Way 60°	611-0510
5 Way Dice	611-0520
6 Way	611-0600
7 Way	611-0700
8 Way	611-0800