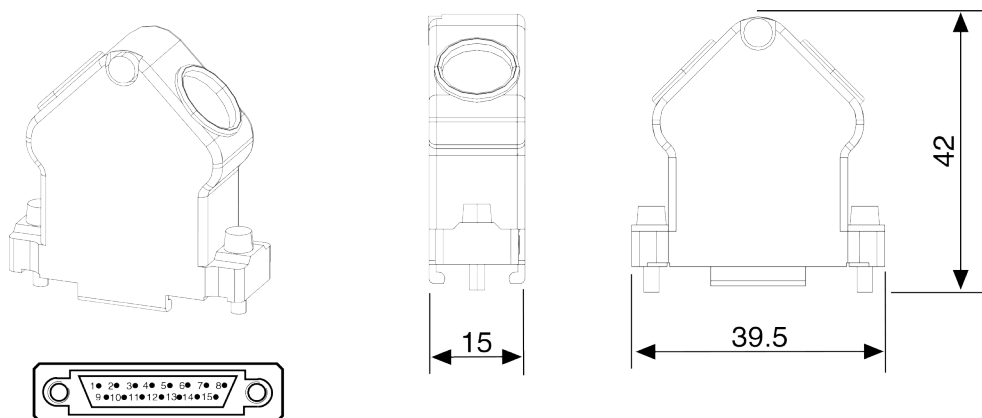


Components

30.1.18 INS0760

D-sub 15 pin, metallic housing for shielding, 2x 45°-cable output, encoder



ins0760_xx.fh11

| Ordering designation | Clamping range [mm] | Contact | | |
|----------------------|---------------------|---------|----------------------------------|----------------------|
| | | Amount | Cross section [mm ²] | Type |
| INS0760/C01 | 4.8 ... 11 | 15 | 0.2 ... 0.5 | Crimp contact (pin) |
| INS0760/L01 | 4.8 ... 11 | 15 | 0.14 ... 0.5 | Solder contact (pin) |

Tab. 30-18: INS0760, D-sub, encoder



Connector with integrated cable clamping