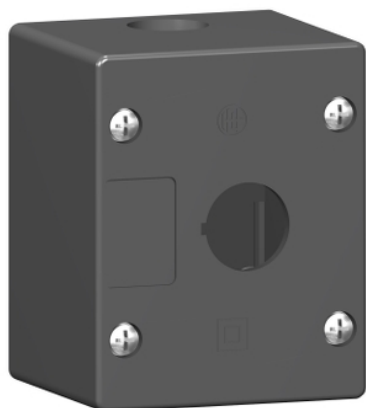


XALG01

Empty control station, Harmony XALG, mineral reinforced polyamide, black, 1 cut out, for severe environments



Main

Range of product	Harmony XALG
Product or component type	Empty control station
Device short name	XALG
Product destination	For XB5 Ø 22 mm control and signalling units
Environmental characteristic	Severe ambiance
Colour of base of enclosure	Black (RAL 9005)
Colour of cover	Black (RAL 9005)
Material	Mineral reinforced polyamide
Cable entry	2 knock-outs for ISO M20 cable entry
IP degree of protection	IP66 conforming to IEC 60529 IP67 conforming to IEC 60529 IP69 IP69K

Complementary

Assembly style	For customer assembly
Number of cut-out	1 cut-out
CAD overall width	90 mm
CAD overall height	72 mm
CAD overall depth	65 mm
Net weight	0.226 kg
Resistance to high pressure washer	10 mPa at 80 °C, distance : 0.2 m

Environment

Protective treatment	TC TH
Ambient air temperature for storage	-40...70 °C
Ambient air temperature for operation	-25...70 °C
Electrical shock protection class	Class II conforming to EN/IEC 61140
IK degree of protection	IK05 conforming to EN 50102

The information provided in this documentation contains general descriptions and/or technical characteristics of the performance of the products contained herein. This documentation is not intended as a substitute for and is not to be used for determining suitability or reliability of these products for specific user applications. It is the duty of any such user or integrator to perform the appropriate and complete risk analysis, evaluation and testing of the products with respect to the relevant specific application or use thereof. Neither Schneider Electric Industries SAS nor any of its affiliates or subsidiaries shall be responsible or liable for misuse of the information contained herein.

Resistance to chemical agents	<p>Good resistance to lactic acid at 10 °C</p> <p>Good resistant to detergent at 60 °C</p> <p>Not resistant to formic acid (10 %) at 50 °C</p> <p>Not resistant to lactic acid at 90 °C</p> <p>Good resistance to ammonia</p> <p>Good resistance to benzene</p> <p>Good resistance to butter</p> <p>Good resistance to citric acid (10 %)</p> <p>Good resistance to cutting compounds</p> <p>Good resistance to ethane</p> <p>Good resistance to ethanol</p> <p>Good resistance to ethylene</p> <p>Good resistance to fatty acids</p> <p>Good resistance to fatty alcohols</p> <p>Good resistance to milk</p> <p>Good resistance to motor oils and greases</p> <p>Good resistance to oils (vegetable, mineral)</p> <p>Good resistance to petroleum</p> <p>Good resistant to acetone</p> <p>Good resistant to uric acid (20 %)</p> <p>Limited resistance to acetic acid (10 %)</p> <p>Limited resistance to boric acid</p> <p>Not resistant to hydrogen peroxide (30 %)</p> <p>Not resistant to nitric acid (2 %)</p>
Standards	<p>EN/IEC 60947-1</p> <p>EN/IEC 60947-5-1</p>

Packing Units

Unit Type of Package 1	PCE
Number of Units in Package 1	1
Package 1 Height	8.2 cm
Package 1 Width	9.8 cm
Package 1 Length	9.4 cm
Package 1 Weight	194.0 g
Unit Type of Package 2	S03
Number of Units in Package 2	30
Package 2 Height	30 cm
Package 2 Width	30 cm
Package 2 Length	40 cm
Package 2 Weight	6.307 kg
Package 3 Height	30 cm

Offer Sustainability

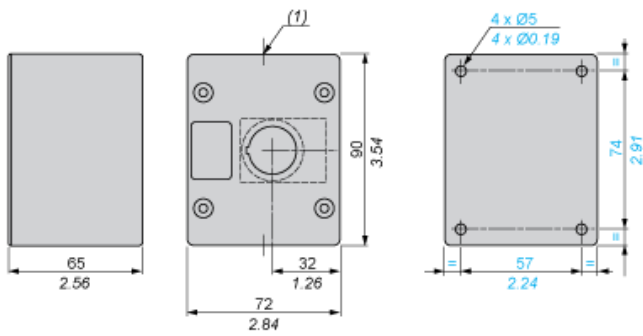
Sustainable offer status	Green Premium product
REACH Regulation	REACH Declaration
REACH free of SVHC	Yes
EU RoHS Directive	Pro-active compliance (Product out of EU RoHS legal scope) EU RoHS Declaration
Toxic heavy metal free	Yes
Mercury free	Yes
China RoHS Regulation	China RoHS Declaration
RoHS exemption information	Yes
Environmental Disclosure	Product Environmental Profile
Circularity Profile	End Of Life Information

Contractual warranty

Warranty	18 months
----------	-----------

Dimensions

mm
in.



(1) 2 ISO 20 cable entries.