

Ethernet Cable Assembly RJ45

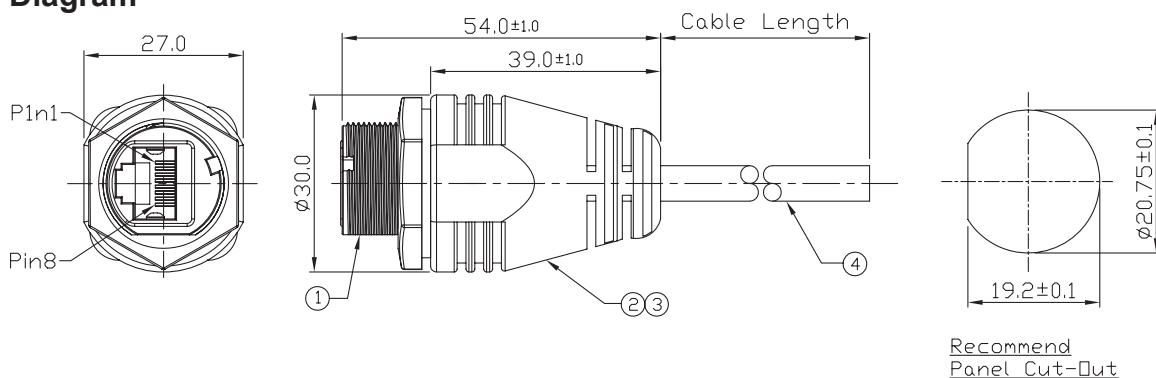
multicomp PRO

**RoHS
Compliant**

Specifications

Current Rating	: 1.5A
AWG Gauge	: 24 AWG to 26 AWG
Temperature Range	: -40°C to +80°C
Insulation Resistance	: DC500V ±10%, test for 1 minute and the insulation resistance should be more than 100MΩ
Dielectric Withstanding Voltage	: 1000V DC/AC peak, contact-to-contact, for 1 minute. 1500V DC/AC peak, contact-to-test panel or contact-to-shield for 1 minute.
Contact Resistance	: 20mΩ at 10mA Max.
Waterproof Rate	: IP67
Recommend Panel Thickness	: 0.8mm to 4mm
Recommend Torque	: 6 to 7 Kgf-cm

Diagram



No.	Part Name	Material / Finish	Qty.
1	RJ45 Panel Connector	-	1
2	Inner Mold	Thermoplastic; Colour: White	
3	Over Mold	PVC; Colour: Black	
4	Cable	Cat5e 4PR×24AWG+AL/My+D(UV) OD.=6mm, Colour: Black	

Shell	Drain
8	Brown
7	White/Brown
6	Green
5	White/Blue
4	Blue
3	White/Green
2	Orange
1	White/Orange

Wiring Diagram

Part Number Table

Description	Cable Length	Part Number
RJ45 Shielded Cable to Cable Jack Screw, Cat5e	2m	MP011820
	5m	MP011821

Dimensions : Millimetres

Important Notice : This data sheet and its contents (the "Information") belong to the members of the AVNET group of companies (the "Group") or are licensed to it. No licence is granted for the use of it other than for information purposes in connection with the products to which it relates. No licence of any intellectual property rights is granted. The Information is subject to change without notice and replaces all data sheets previously supplied. The Information supplied is believed to be accurate but the Group assumes no responsibility for its accuracy or completeness, any error in or omission from it or for any use made of it. Users of this data sheet should check for themselves the Information and the suitability of the products for their purpose and not make any assumptions based on information included or omitted. Liability for loss or damage resulting from any reliance on the Information or use of it (including liability resulting from negligence or where the Group was aware of the possibility of such loss or damage arising) is excluded. This will not operate to limit or restrict the Group's liability for death or personal injury resulting from its negligence. Multicomp Pro is the registered trademark of Premier Farnell Limited 2019.

Newark.com/multicomp-pro
Farnell.com/multicomp-pro
sg.element14.com/b/multicomp-pro

multicomp PRO