

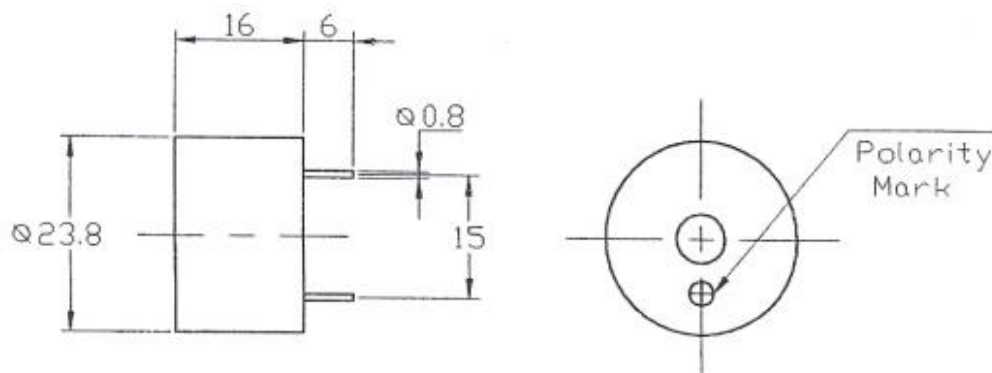
# Datasheet

## RS 3 → 20 V dc 85dB Through Hole Continuous External Piezo Buzzer, 2400 → 3400 Hz

RS Stock 617-3075



### Dimensions: (mm)



**Features:**

- Colour: Black
- Housing Material: Noryl



All data at 25°C unless otherwise specified.

SPECIFICATIONS	ABT-430-RC – Piezo Transducer
Rated Voltage (Vp-p Square Wave)	9Vp-p
Operating Voltage	1-30Vp-p
Rated Current at rated voltage	3mA
Capacitance at 120Hz	17000±30%pF
Sound Output at 4000Hz at 10cm, at rated voltage	≥85dB
Resonant Frequency	4000±500Hz
Operating Temperature	-20 ~ +60°C
Storage Temperature	-30 ~ +70°C
Weight	3g