



ENGLISH

Datasheet

RS Article:1854655

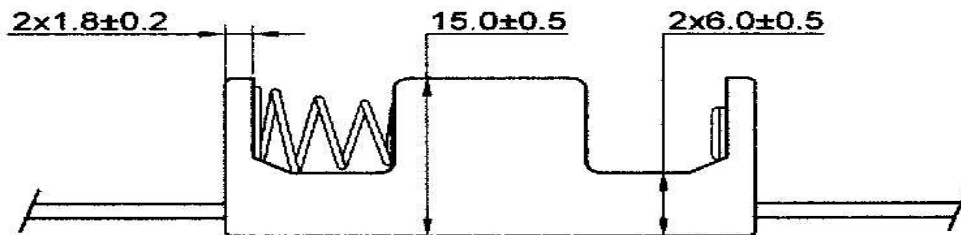
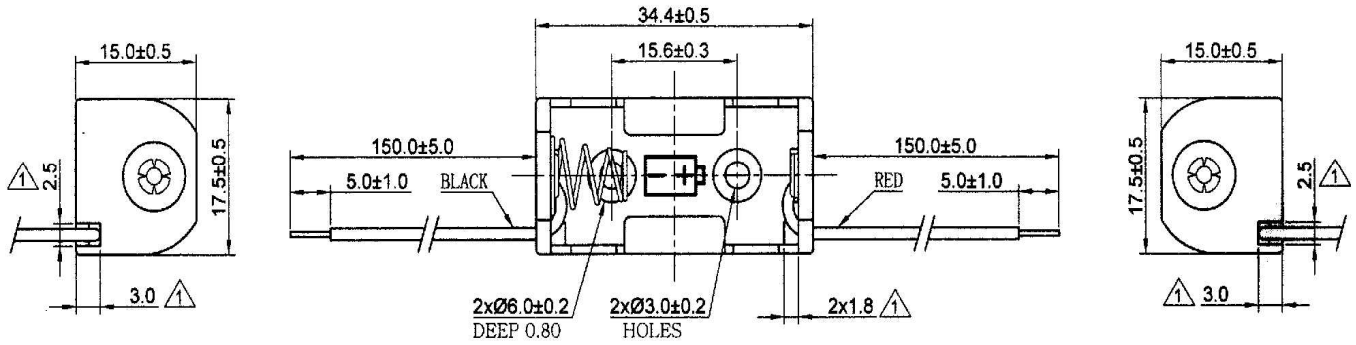
RS Pro Battery Holder



1. Preface:

The purpose of this product specification is to Dimension and drawing

1/2AA with Lead Wire 150mm



SPECIFICATION

- (1) ITEM NO. : 1854655
- (2) WIRE: UL1007 AWG #26,
BLACK & RED: 150MM±5MM
STRIP & TIN: 5MM±1MM
- (3) HOLDER MATERIAL: P.P. 94HB RESIN, BLACK COLOR
- (4) SPRING MATERIAL: Ø0.6MM SPRING STEEL NICKEL PLATED
- (5) RIVET MATERIAL: BRASS NICKEL PLATED
- (6) RoHS COMPLIANT

Measure: mm