

FEATURES

- Low noise levels
- PBT Thermoplastic casing
- Square orientation
- Can be mounted in a horizontal and vertical position

RS PRO, 12 V dc, DC Axial Fan, 60 x 60 x 25mm, 27.2m³/h, 1.6W

RS Stock No.: 541-4965



RS Professionally Approved Products bring to you professional quality parts across all product categories. Our product range has been tested by engineers and provides a comparable quality to the leading brands without paying a premium price.

Product Description

Brought to you by RS PRO, a range of AC dual ball bearing axial fans offering a cost-effective cooling solution without sacrificing on quality or reliability. Provided are a robust die-cast aluminium frame and an AC shaded pole impedance protected motor, these fans are ideal for a multitude of applications.

General Specifications

Air Flow	30.6m ³ /h
Fan Speed	3500rpm
Noise Level	27dB
Direction of Curve	Backwards
Frame	PBT, ULV94-0 Thermoplastic
Impeller	PBT, ULV94-0 Thermoplastic
Alarm Function	Yes
Special Features	Tachometer
IP Rating	IP44
Applications	Server racks, Electrical cabinets and enclosures; Production Lines, Ceiling fan/ventilation Desktop computers, Motor engines (radiator in a car), Generators, Air compressors

Electrical Specifications

Motor	Brushless DC, locked rotor protected, Auto Restart, Polarity Protected
AC or DC Operation	DC
Power Consumption	1.7W
Supply Voltage	12VDC
Maximum Current	130mA
Insulation Resistance	Min.10M ohm at 500VDC

Mechanical Specifications

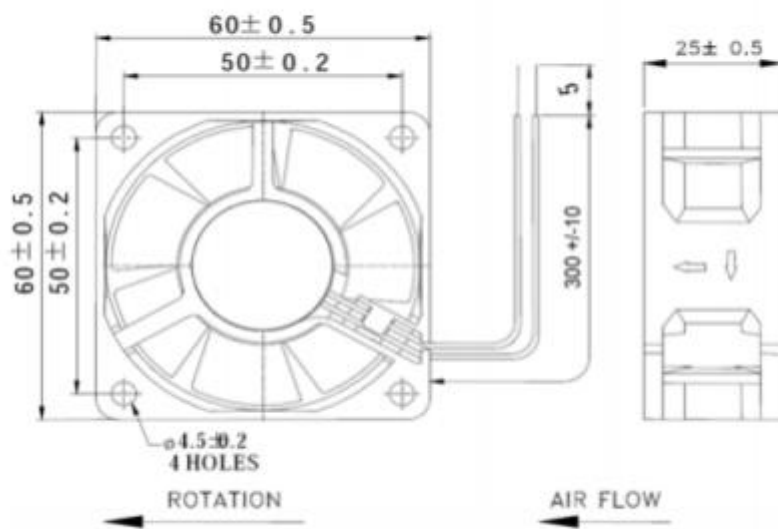
Dimensions	60mm x60mm x25mm
Height	60mm
Width	60mm
Depth	25mm
Bearing Type	Ball
Life Expectancy	60,000 hours (L10)

Operation Environment Specifications

Operating Temperature	-10°C to 70°C
------------------------------	---------------

Approvals

Compliance/Certifications	UL, cUL, TUV, CE, UL94-V0
----------------------------------	---------------------------

**Drawing(mm):**

*Drawing for Dimensional Reference Only

