

# UPort® 404/407

## 4 and 7-port industrial-grade USB hubs



- > Hi-Speed USB 2.0 for up to 480 Mbps USB transmission
- > USB-IF certification
- > Dual power inputs (power jack and terminal block)
- > 15 kV ESD Level 4 protection for all USB ports
- > Rugged metal housing
- > DIN-Rail and wall mountable
- > Comprehensive diagnostic LEDs
- > Choose bus power or external power (UPort 404)



### Introduction

The UPort® 404 and UPort® 407 are industrial-grade USB 2.0 hubs that expand 1 USB port into 4 and 7 USB ports, respectively. The hubs are designed to provide true USB 2.0 Hi-Speed 480 Mbps data transmission through each port, even for heavy-load applications. The UPort® 404/407 have received USB-IF Hi-Speed certification, which is an indication that both products are reliable, high-quality USB 2.0

hubs. In addition, the hubs are fully compliant with the USB Plug & Play spec and provide a full 500 mA of power per port, ensuring that your USB devices will function properly. The UPort® 404/407 hubs' support of 12-40 VDC power makes them ideal for mobile applications. Externally powered USB hubs are the only way to guarantee the broadest compatibility with USB devices.

### USB-IF Certification

The UPort® 404 and UPort® 407 USB 2.0 industrial-grade USB hubs have passed USB-IF (USB Implementers Forum) certification. USB-IF verifies a number of strict electrical requirements for the high-speed USB operation of USB hubs designed to the USB 2.0 specification.

This means that the UPort® 404/407 support Hi-Speed USB 2.0 for up to 480 Mbps USB transmission, which is fully compliant with interoperability requirements, has enough power for devices to function, and provides for a successful transition back to high-speed operation from the suspend state.

### ESD Level 4 Protection

Electrostatic discharge (ESD) could be as severe as having more than 1,000 volts of ESD with a high rise-time (dv/dt) break through the junction layer of protective devices. In order to avoid serious damage,

Moxa's UPort® 404/407 USB hubs provide ESD level 4 (contact 8 kV, air 15 kV) protection, which increases the quality and value of the user's end-product.

### Specifications

#### USB Interface

**Compliance:** USB 1.1/2.0 compliant

**Upstream:** 1 USB port, Type B connector

**Downstream:**

UPort 404: 4 USB ports, Type A connectors

UPort 407: 7 USB ports, Type A connectors

**Speed:** 480 Mbps (Hi-Speed USB) and 12 Mbps (Full-Speed USB)

**Supply Current:** 500 mA max. per channel

#### Physical Characteristics

**Housing:** Aluminum

**Weight:** Product only:

UPort 404: 850 g (1.87 lb)

UPort 407: 950 g (2.1 lb)

**Packaged:**

UPort 404: 855 g (1.88 lb)

UPort 407: 965 g (2.13 lb)

**Dimensions:**

UPort 404: 80 x 35 x 130 mm (3.15 x 1.38 x 5.12 in)

UPort 407: 100 x 35 x 192 mm (3.94 x 1.38 x 7.55 in)

#### Environmental Limits

**Operating Temperature:**

Standard Models: 0 to 60°C (32 to 140°F)

Wide Temperature Models: -40 to 85°C (-40 to 185°F)

**Storage Temperature:**

Standard Models: -20 to 75°C (-4 to 167°F)

Wide Temperature Models: -40 to 85°C (-40 to 185°F)

**Ambient Relative Humidity:** 5 to 95% (non-condensing)

### Standards and Certifications

**Safety:** UL 508

**EMC:** EN 55022/24, EN 61000-6-2/6-4

**EMI:** CISPR 22, FCC Part 15B Class A

**EMS:**

IEC 61000-4-2 ESD: Contact: 8 kV; Air: 15 kV

IEC 61000-4-3 RS: 80 MHz to 1 GHz: 10 V/m

IEC 61000-4-4 EFT: Power: 2 kV

IEC 61000-4-5 Surge: Power: 1 kV

IEC 61000-4-6 CS: 150 kHz to 80 MHz: 10 V/m

IEC 61000-4-8 PFMF

**Green Product:** RoHS, CRoHS, WEEE

### Power Requirements

**Input Voltage:** 12 to 40 VDC

**Input Current:** UPort 404: 1.3 A @ 12 VDC

UPort 407: 2.3 A @ 12 VDC

**MTBF** (mean time between failures)

**Time:**

UPort 404: 1,490,340 hrs

UPort 407: 1,111,361 hrs

**Standard:** Telcordia (Bellcore), GB

### Warranty

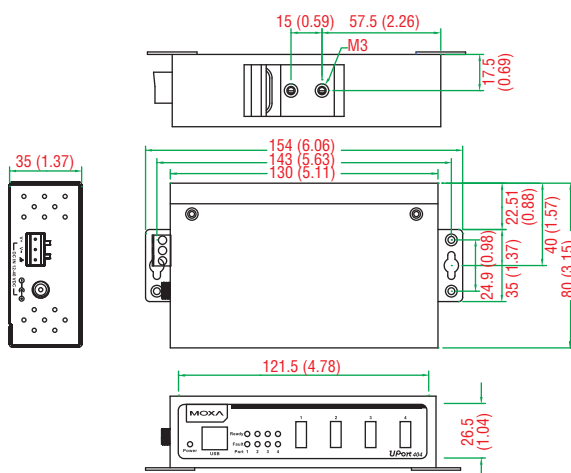
**Warranty Period:** 5 years

**Details:** See [www.moxa.com/warranty](http://www.moxa.com/warranty)

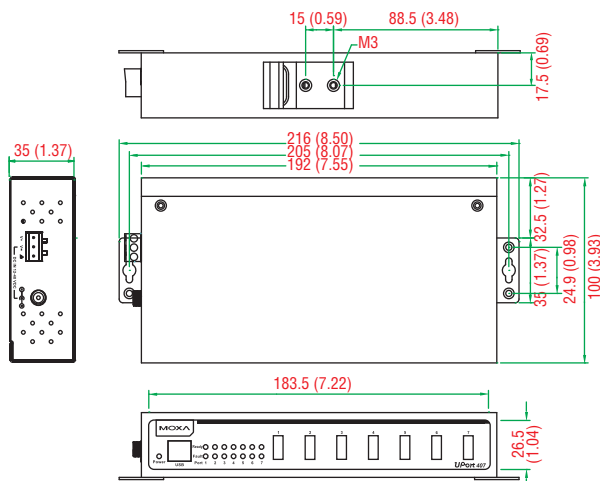
### Dimensions

Unit: mm (inch)

#### UPort® 404



#### UPort® 407



## Ordering Information

### Available Models

**UPort 404:** 4-port industrial USB hub, adapter included, 0 to 60°C operating temperature

**UPort 407:** 7-port industrial USB hub, adapter included, 0 to 60°C operating temperature

**UPort 404-T:** 4-port industrial USB hub, -40 to 85°C operating temperature

**UPort 407-T:** 7-port industrial USB hub, -40 to 85°C operating temperature

### Optional Accessories (can be purchased separately)

**CBL-USBA/B-100:** USB Type A to USB Type B cable, 100 cm

**WK-35-02:** 2 plates with 6 screws

**DK-25-01:** 1 DIN-rail kit; 25 x 48.3 mm with 2 screws

**Note:** One power adapter suitable for your region is included in the product package. Additional power adapters can be purchased separately. Please refer to the Power Accessory Selection Guide for details.

### Package Checklist


- 1 UPort 404 or UPort 407 industrial-grade USB hub
- 100 to 240 VAC power adapter suitable for your region (excluding T models)
- USB Cable: CBL-USBA/B-100
- Wall-mounting kit: WK-35-02
- Quick installation guide (printed)
- Warranty card

# Power Accessory Selection Guide

13

Industrial USB > Power Accessory Selection Guide

Barrel Plug Type		Non-locking barrel plug	Locking barrel plug				
O/P		12 VDC, 1.5 A, 100 to 240 VAC	12 VDC, 3 A 100 to 240 VAC (Switch Mode)				
Plug Type		CN	US/JP	EU	AU	UK	CN
Model Name		PWR-12150-CN-S2	PWR-12300-WPUSJP-S1	PWR-12300-WPEU-S1	PWR-12300-WPAU-S1	PWR-12300-WPUK-S1	PWR-12300-WPCN-S1
Appearance							
2 ports	UPort 1250	-	-	-	-	-	-
	UPort 1250I	✓	-	-	-	-	-
	UPort 2210	-	-	-	-	-	-
4 ports	UPort 1410	✓	-	-	-	-	-
	UPort 1450	✓	-	-	-	-	-
	UPort 1450I	✓	-	-	-	-	-
	UPort 2410	-	-	-	-	-	-
	UPort 204	-	✓	✓	✓	✓	✓
	UPort 404	-	✓	✓	✓	✓	✓
7 ports	UPort 207	-	✓	✓	✓	✓	✓
	UPort 407	-	✓	✓	✓	✓	✓
8 ports	UPort 1610-8	✓	-	-	-	-	-
	UPort 1650-8	✓	-	-	-	-	-
16 ports	UPort 1610-16	-	-	-	-	-	-
	UPort 1650-16	-	-	-	-	-	-

Barrel Plug Type		Locking barrel plug					
O/P		12 VDC 2 A, 100 to 240 VAC (desktop type)	2.5A/250 V Power Cord, 183 cm				
Plug Type		Must be used with a power cord	US	JP	EU	AU	UK
Model Name		PWR-12125-DT-S2	PWC-C7US-2B-183	PWC-C7JP-2B-183	PWC-C7EU-2B-183	PWC-C7AU-2B-183	PWC-C7UK-2B-183
Appearance							
2 ports	UPort 1250	✓	✓	✓	✓	✓	✓
	UPort 1250I	✓	✓	✓	✓	✓	✓
	UPort 2210	-	-	-	-	-	-
4 ports	UPort 1410	✓	✓	✓	✓	✓	✓
	UPort 1450	✓	✓	✓	✓	✓	✓
	UPort 1450I	✓	✓	✓	✓	✓	✓
	UPort 2410	-	-	-	-	-	-
	UPort 204	-	-	-	-	-	-
	UPort 404	-	-	-	-	-	-
7 ports	UPort 207	-	-	-	-	-	-
	UPort 407	-	-	-	-	-	-
8 ports	UPort 1610-8	✓	✓	✓	✓	✓	✓
	UPort 1650-8	✓	✓	✓	✓	✓	✓
16 ports	UPort 1610-16	✓	✓	✓	✓	✓	✓
	UPort 1650-16	✓	✓	✓	✓	✓	✓