



ENGLISH

Datasheet

RS Article:1854731

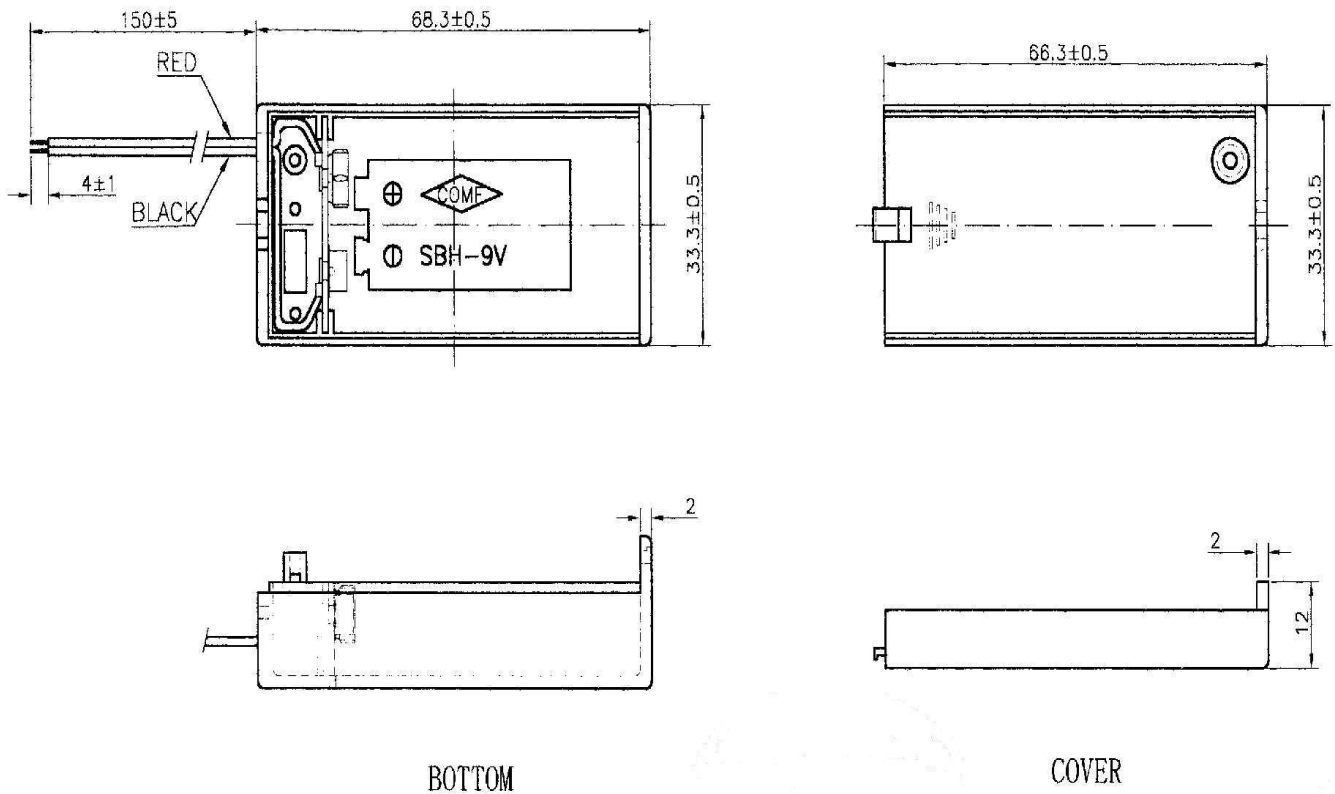
RS Pro Safety Battery Holder



1. Preface:

The purpose of this product specification is to dimension and drawing

9V with Lead wire 150mm



SPECIFICATION

- (1) ITEM NO: 1854731
- (2) WIRE: UL1007 AWG#26
BLACK & RED : $150\text{MM} \pm 5\text{MM}$
STRIP & TIN : $4\text{MM} \pm 1\text{MM}$
- (3) WITH 6 PRONG SNAP TERMINAL
- (4) MATERIAL: ABS RESIN, BLACK COLOR

Measure: mm