



# Datasheet

## RS PRO Two-Part Enclosures

Stock number: 2006694

EN



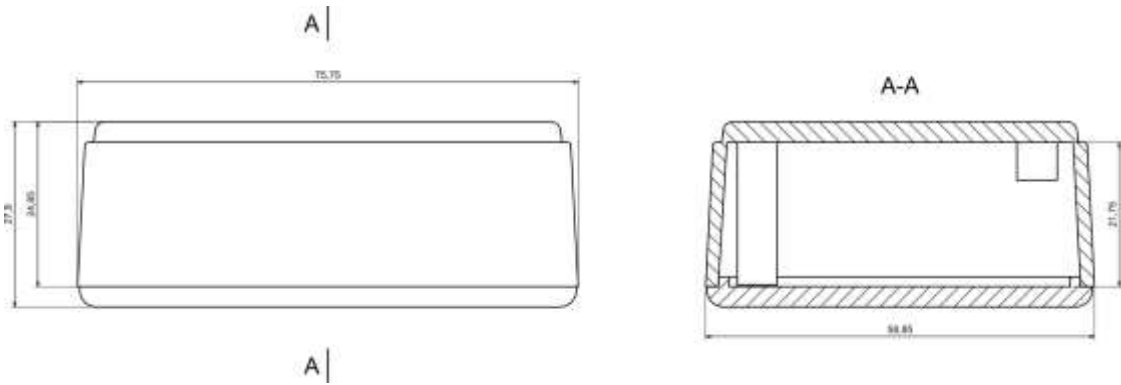
## Product Details

Two-part enclosure is made of light gray ABS. The enclosure provides IP53 and IK07 rating it is ideal for applications that doesn't require hermetic seal.

## Features and Benefits

- Made of ABS
- Available in light gray color
- Protection against liquids and solid objects: IP53 rating
- Shock protection level: IK07 rating

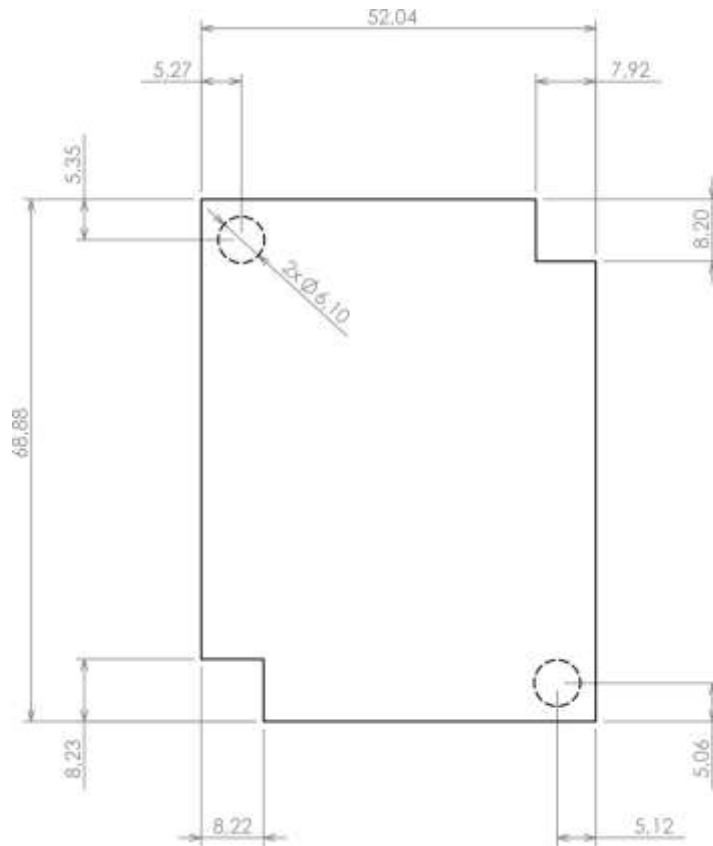
[rspro.com](https://rspro.com)



Category	Two-Part Enclosure
Type	Full
Material	ABS
Variant	Without gasket
Height	27.9 mm
Width	58.8 mm
Length	75.9 mm
Color	Light gray
Protection level	IP53
Shock protection level	IK07
Standards Met	RoHS Compliant
Accessories	Screw 3/13: 2.0 pcs
Certificate number	CE/031/18



## Max PCB size



Dashed line shows outline of the mounting boss under PCB board  
Recommended mounting holes diameter  $\varnothing 3,5$ mm  
All dimensions are given within  $\pm 0,5$ mm tolerance