

## FEATURES

- Material is stainless steel
- Micro D connector type
- Thread Size is UNC 2-56

## RS PRO Jack Screw Locking Connector

RS Stock No.: 453-959



RS Professionally Approved Products bring to you professional quality parts across all product categories. Our product range has been tested by engineers and provides a comparable quality to the leading brands without paying a premium price.

## Product Description

RS PRO stainless steel jack screws and posts for locking coupled connectors, 2-56 UNC. Jackscrews are used to mount D-sub connectors to larger pieces of equipment

[453-959](#) - Jack Posts for locking connector

[453-943](#) - Jack Screw for locking connector, slotted screw head

## General Specifications

<b>Accessory Type</b>	Jack Screw
<b>For Use With</b>	Locking Connector
<b>Material</b>	Stainless Steel
<b>Finish</b>	Cadmium / Electroless Nickel
<b>Application</b>	Preventing mechanical stress, provide EMI/RFI shielding and protection from the elements, Industrial, commercial and domestic applications and environments

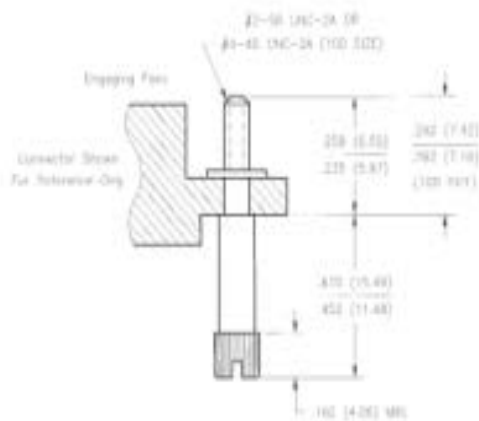
## Approvals

<b>Compliance/Certifications</b>	MIL-C 83515 / 2011/65/EU and 2015/863
----------------------------------	---------------------------------------

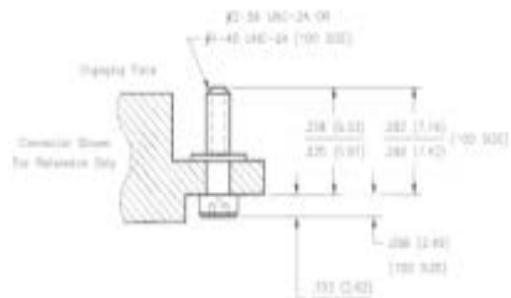




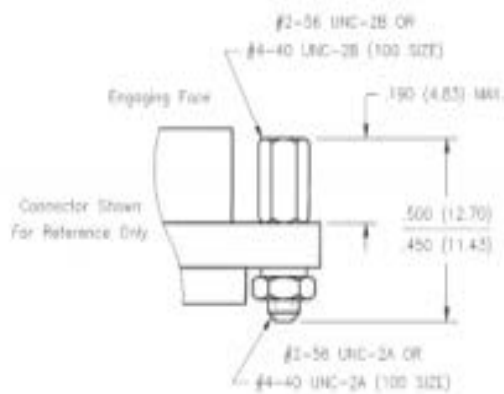
**Dimensions: (mm)**



**High Profile Jackscrew**



**Low Profile Jackscrew**



**Removable Jackpost**