

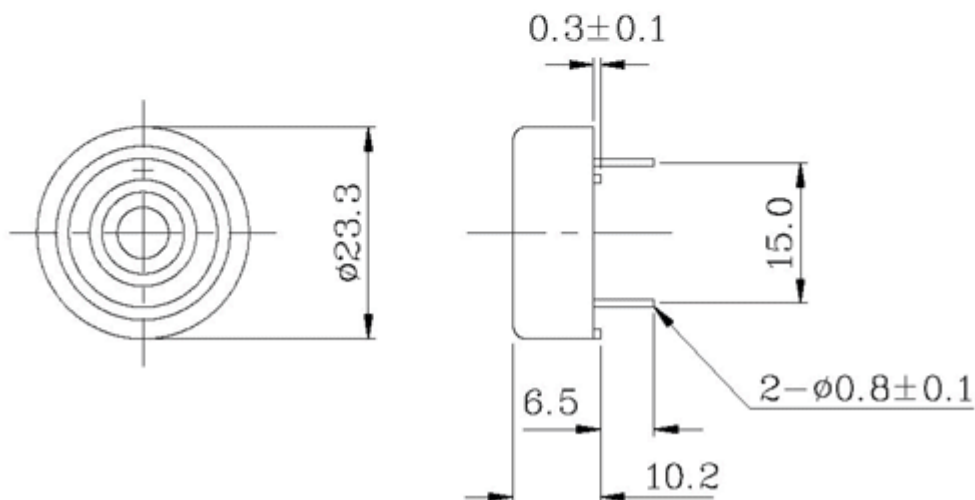
Shape

KPEG222
KPEG222H



Model Number	KPEG222	KPEG222H
Rated Frequency (Hz)	3,200 ± 500	
Operating Voltage Range (VDC)	3 ~ 20	8 ~ 18
Current Consumption (mA)	Max. 13@12VDC	Max. 10@12VDC
Sound Pressure Level (dB)	Min. 75dB@30cm / 12VDC	Min. 85dB@30cm / 12VDC
Tone	Continuous	
Operating Temperature (°C)	-30 ~ +85	
Storage Temperature (°C)	-40 ~ +95	
Weight (Gram)	5.0	
Material	ABS UL-94 1/16" HB High Heat (Black)	

Dimension



The specification is for reference only. Please confirm the detailed approval sheets before ordering with us.
Kingstate reserves the right to revise or withdraw specifications without advanced notice.