



# Datasheet

## RS PRO 20m DisplayPort Male to Male Cable – Black - Active

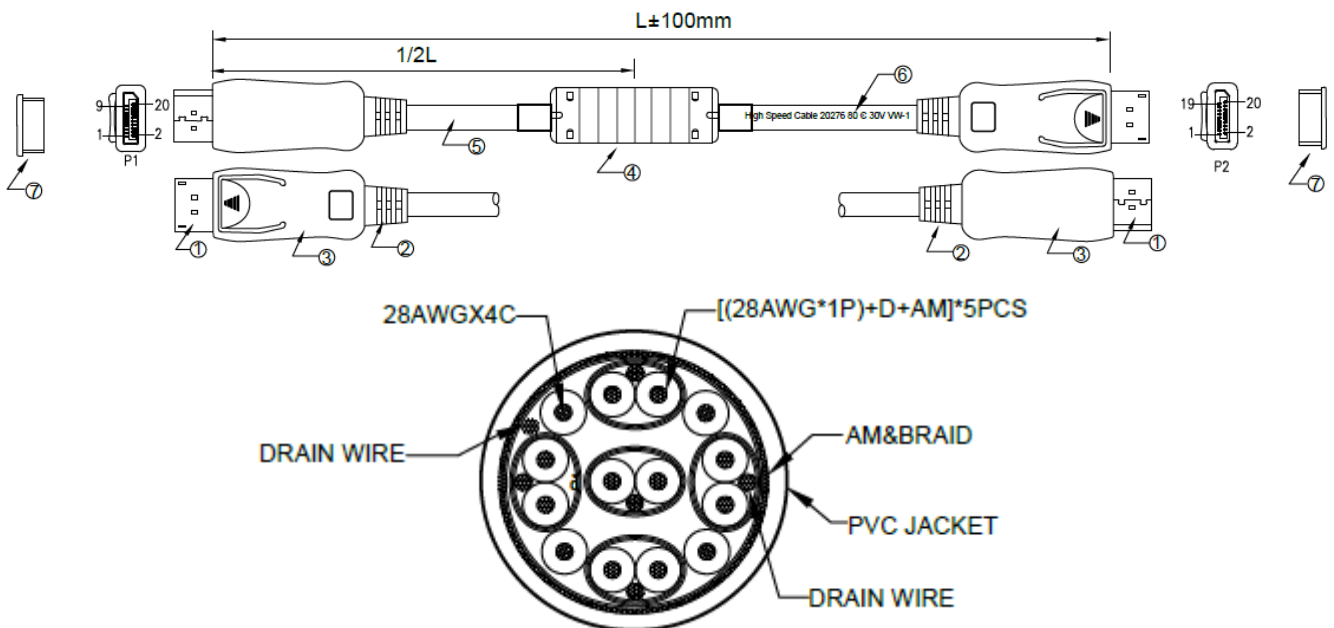
Stock number: 236-9098

EN

Our RS PRO 20 metre DisplayPort cable comes with 2 latching, 20 pin male connectors, although only 19 pins are connected, Pin 20 carries 3.3v which traditionally is not used and can cause problems with some devices, this is why only 19 pins are connected on our product. UL20276 Approved Cable

The connector hoods are made from black PVC and come with dust caps to protect the connectors. On top of the connector is the latch release and a strain relief on the end of the hood to support the cable.

DisplayPort, commonly known as DP is a digital high-definition video connection which also can carries audio.

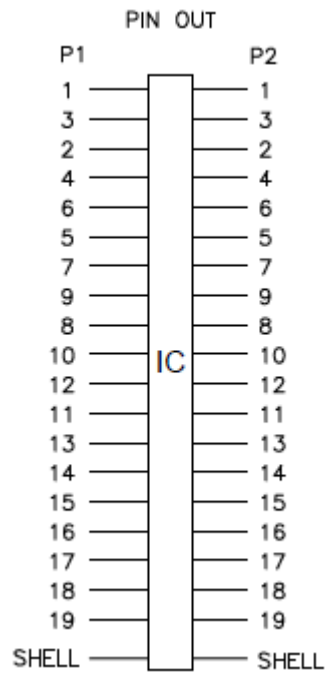


### NOTE:

#### 1. Electrical properties:

- 1.1 Tested by (quantum data) 780E handhold test Instrument for DP1.2 21.6G 480P , 720P , 1080P, 4K\*2K/ 60HZ PASS DDC, (EDID), +5V, Hot plug. PASS
- 1.2 100% PC test pass DP1.2 3840\*2160 60HZ RGB/YUV444

#### 2. ROHS 2.0 and REACH



RoHS / REACH / CE / UKCA

[rspro.com](http://rspro.com)