

Features

- V1.4
- 8K @ 60Hz
- 32.4Gbps
- HBR3
- 32AWG
- 5 Pack

RS PRO 0.5m 8K DisplayPort M-M Cable – Black – 5 Pack

RS Stock No.: 266-8475



RS Professionally Approved Products bring to you, professional quality parts across all product categories. Our product range has been tested by engineers and provides a comparable quality to the leading brands without paying a premium price.

Product Description

The RSPRO 0.5m 8K male to male DisplayPort cable has a black PVC jack and an outer diameter of 5mm. The connectors have a gold flash covering to prevent corrosion.

Our cables are DisplayPort version 1.4 (HBR3) and can support up to 8K@60Hz, 4K@120Hz or with Multi Stream Transport (MST) they can display to multiple screens.

The connector hoods are also made of black PVC and have a strain relief to prevent the jacket splitting around the boot.

DisplayPort, commonly known as DP is a digital high-definition video connection which also can carries audio. Due to its bandwidth, DisplayPort cables are normally up to 5 metres long.

DisplayPort cables are very simple to use and are plug and play. Care must be taken when unplugging them to make sure that the latches have been released before pulling out the connector

General Specifications

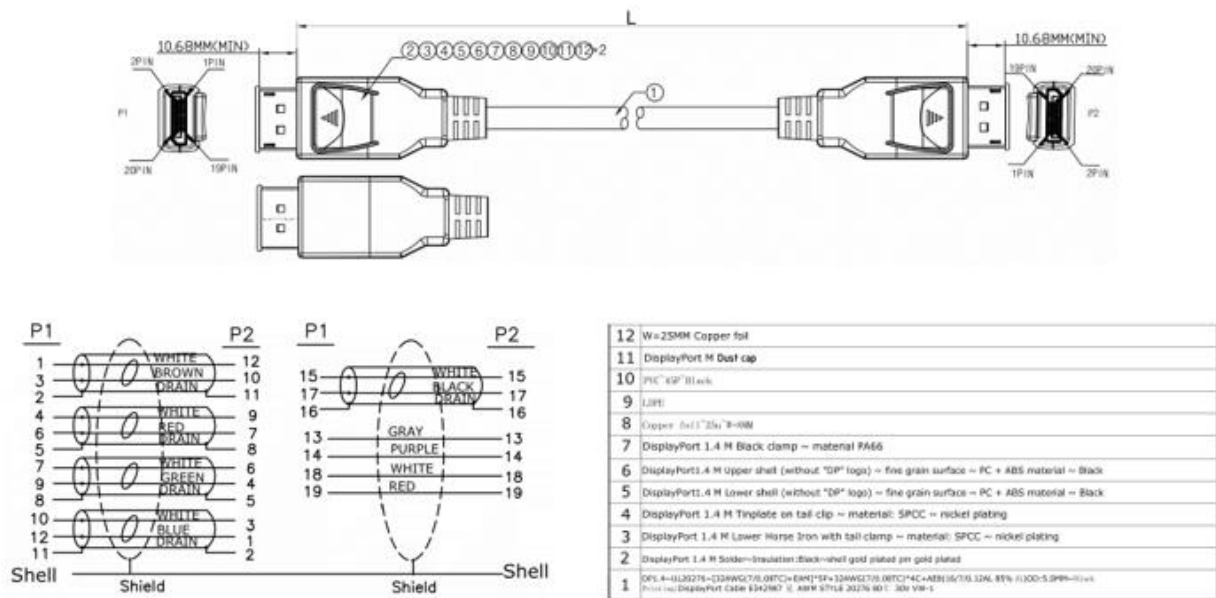
DsisplayPort Version	V1.4
Connector A	DisplayPort Male
Connector B	DisplayPort Male
Sheath Colour	Black
Sheath Material	PVC
Max resolution	8K @ 60Hz

Approvals

Declarations	CE UKCA ROHS REACH
Standards Met	CE UKCA ROHS REACH

Similar Products

Stock No.	Length	Spec	Pack Size	Colour
266-8475	0.5m	DisplayPort Male - Male V1.4	5	Black
195-4906	0.5m	DisplayPort Male - Male V1.4	1	Black
251-3263	1m	DisplayPort Male - Male V1.4	5	Black
195-4907	1m	DisplayPort Male - Male V1.4	1	Black



12	W=25MM Copper foil
11	DisplayPort M Dust cap
10	PC 49° Black
9	UJFI
8	Copper foil 25x3-08
7	DisplayPort 1.4 M Black clamp - material PA66
6	DisplayPort 1.4 M Upper shell (without "DP" logo) - fine grain surface - PC + ABS material - Black
5	DisplayPort 1.4 M Lower shell (without "DP" logo) - fine grain surface - PC + ABS material - Black
4	DisplayPort 1.4 M Tinplate on tail clip - material: SPCC - nickel plating
3	DisplayPort 1.4 M Lower Horse Iron with tail clamp - material: SPCC - nickel plating
2	DisplayPort 1.4 M Solder-insulation:Black-niwt gold plated pin gold plated
1	DP1.4-1120276-13AWG7/0.08TC=EMT1*SF+12AWG7/0.08TC*4C+AMB16/10.12AL 85% 1100-5.0PP-1144 Printed: DisplayPort Cable 6342867 © AMM 5/16/2023 9:01:30 AM V16-1