



Datasheet

RS PRO

Stock numbers:

1774514

1774515

1774516

1774517

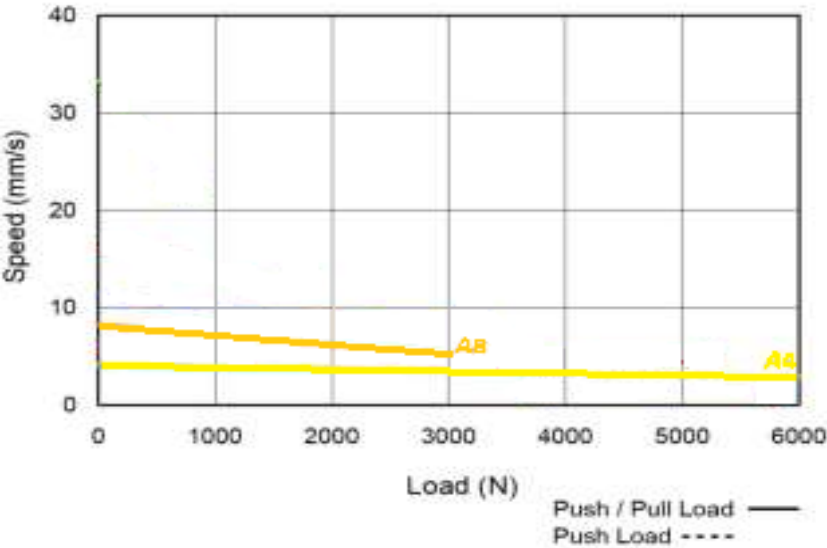
EN



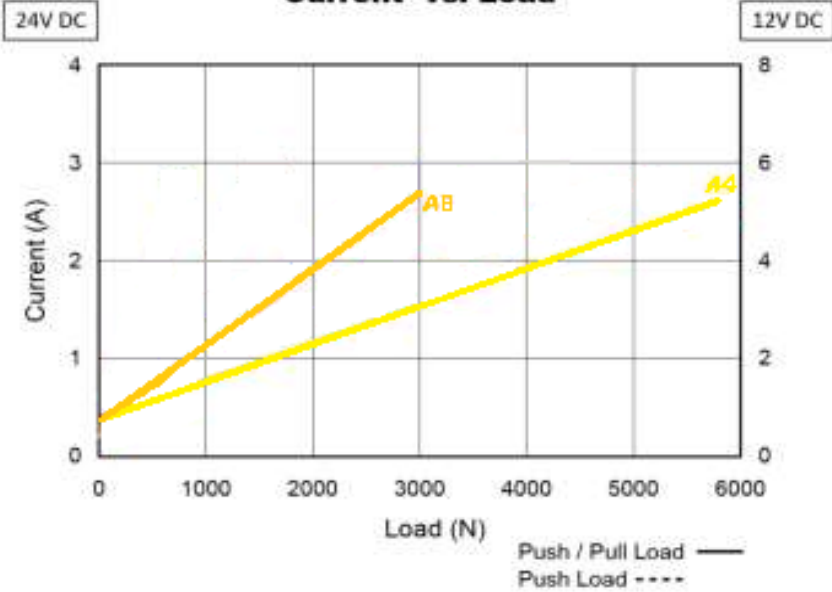
- ◆ FD60 is a quiet and powerful actuator. Our T control Box, which can be attached to the FD60.
- ◆ Input voltage : 24V DC
- ◆ Max. load : 6000N (push) / 4000N (pull)
- ◆ Max. current : 3A @ 24V DC
- ◆ Max. speed at full load : 2.9 mm/sec @ 6000N
- ◆ Stroke : 50 ~ 300 mm
- ◆ Duty cycle : 10% or 2 min continuous operation in 20 min.
- ◆ Ambient operation temperature : -20°C ~ +65°C
- ◆ IP Protection level : IP42
- ◆ Colour : Black
- ◆ Certified : EN55014-1
- ◆ Noise Level : \leq 50dB
- ◆ Preset limit switches

RS Number	Vendor Part Number	Push Max. (N)	Pull Max. (N)	Speed (mm/s)		Voltage (DC)	Stroke (mm)
				No load	Full load		
1774514	FD60-24-A4-288.388-C52-HS3	6000	4000	4.2	2.9	24	100
1774515	FD60-24-A4-488.788-C52-HS3	6000	4000	4.2	2.9	24	300
1774516	FD60-24-A8-288.388-C52-HS3	3000	3000	8.3	5.0	24	100
1774517	FD60-24-A8-488.788-C52-HS3	3000	3000	8.3	5.0	24	300

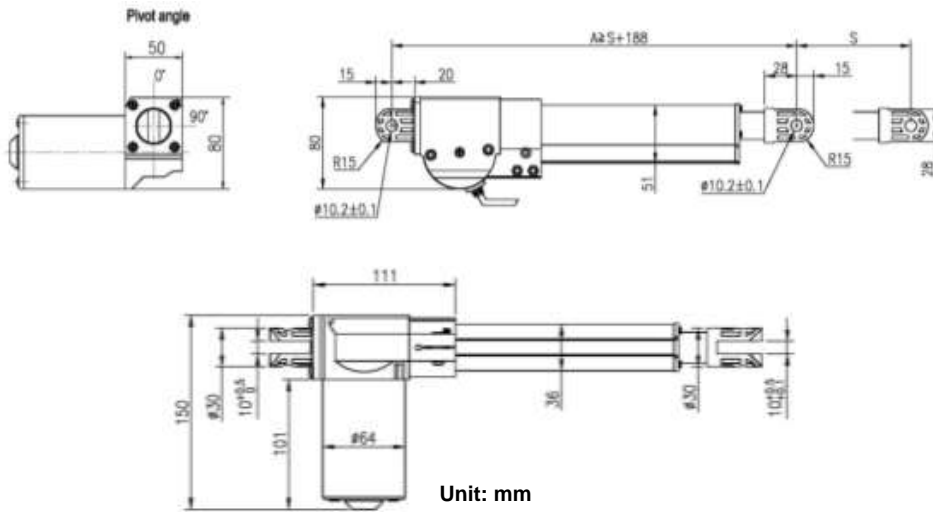
Speed vs. Load



Current vs. Load



Model No.	Push Max. (N)	Pull Max. (N)	Speed (mm/s)		Current (A)			
			No load	Full load	No load		Full load	
					12V	24V	12V	24V
FD60-XX-F3- XXX.XXX	6000	4000	4.1	2.8	1.2	0.6	5.2	2.6
FD60-XX-A4- XXX.XXX	6000	4000	4.2	2.9	0.8	0.4	5.4	2.7
FD60-XX-F4- XXX.XXX	5000	4000	5.5	4.4	0.8	0.4	5.6	2.8
FD60-XX-A6- XXX.XXX	4000	4000	6.2	3.8	0.4	0.2	6.0	3.0
FD60-XX-F6- XXX.XXX	3000	3000	8.2	6.6	1.0	0.5	5.6	2.8
FD60-XX-A8- XXX.XXX	3000	3000	8.3	5.0	0.6	0.3	5.4	2.7
FD60-XX-F8- XXX.XXX	3000	3000	11.0	8.2	1.0	0.5	5.8	2.9
FD60-XX-AG- XXX.XXX	1500	1500	16.6	12.2	0.4	0.2	5.6	2.8
FD60-XX-KG- XXX.XXX	750	750	33.3	23.5	0.4	0.2	5.2	2.6



Front Connector Code	Rear Connector Code	Retracted Length (A)
Cx5	Cx2	$A \geq S + 188\text{mm}$

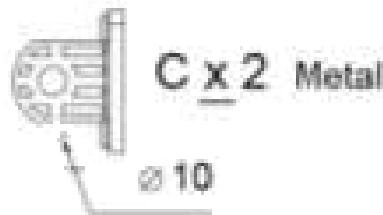
◆ **Front Connectors**

Slot width-10mm
Slot Depth-18mm
Diameter of pivot
with/without
bushing- Ø10

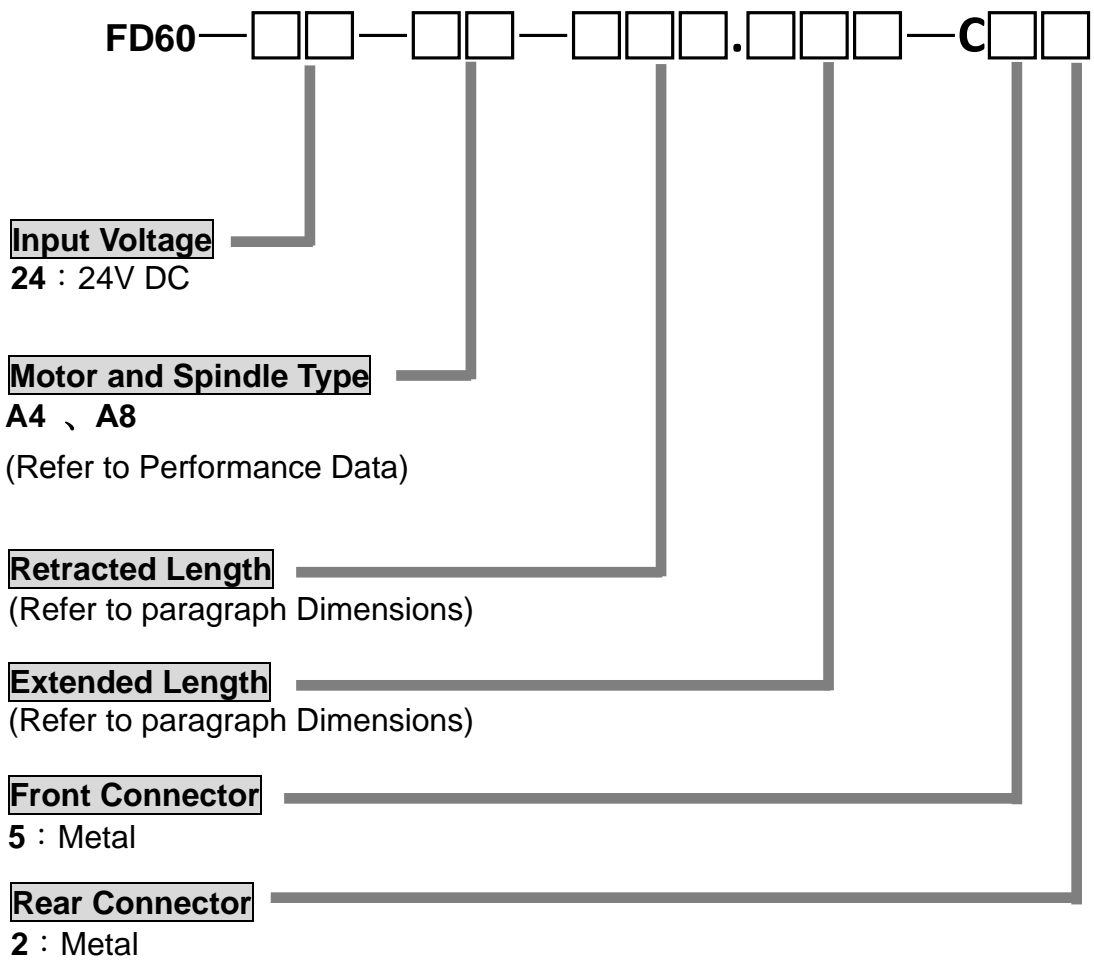


◆ **Rear Connectors**

Slot width-10mm
Slot Depth-18mm
Diameter of pivot
with/without
bushing- Ø10



Ordering Key



PLEASE NOTE

When used with T Controller (1774523) please use the connector adapter that comes with the T Controller.

