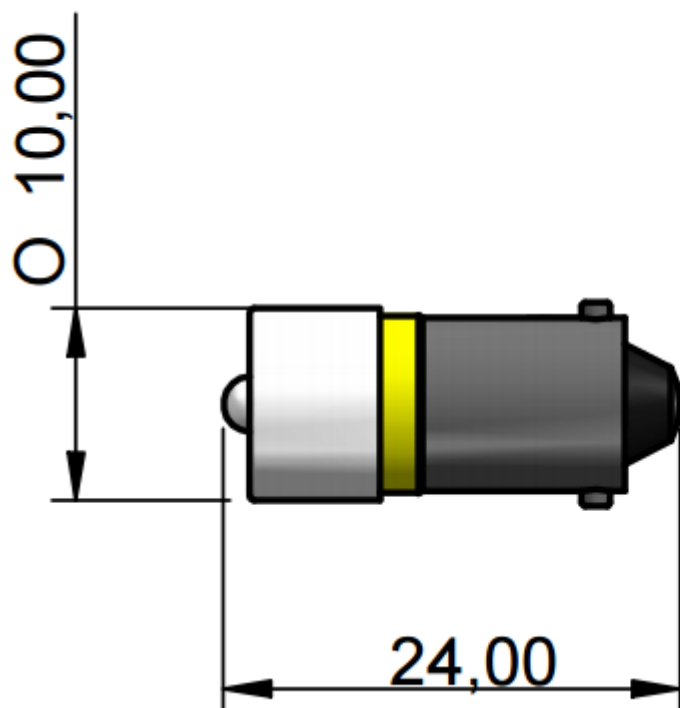


# Datasheet

## LED Indicator Lamp

RS ITEM NO 209-456



|                  |                |                          |                      |           |               |
|------------------|----------------|--------------------------|----------------------|-----------|---------------|
| LED/Multiled     | <i>LED</i>     | Optimum voltage (V)      | <i>12Vac/Dc</i>      | Intensity | <i>630mcd</i> |
| Mounting Size    | <i>10x25mm</i> | Rectifier                | <i>Half Wave</i>     |           |               |
| Mounting Finish  |                | AC current               | <i>9mA</i>           |           |               |
| Protection       | -              | DC current               | <i>17mA (max)</i>    |           |               |
| Mount Holder     | <i>Ba9</i>     | Voltage Tolerance (%)    | <i>10%</i>           |           |               |
| Chip Qty         | <i>1</i>       | Optimum temperature (°C) | <i>-30°C...+60°C</i> |           |               |
| Indicator colour | <i>Yellow</i>  | Storage temperature (°C) | <i>-30°C...+60°C</i> |           |               |
| Wavelength (nm)  | <i>587</i>     | Contact Tab              | <i>Ba9 Cap</i>       |           |               |



*Dimension in mm (typical), not to scale.  
We reserve the right to make changes without further notice to this product to improve reliability, function or design.*