



ENGLISH

Datasheet

AC Axial Fan, 120 x 120 x 38mm, 187m/h, 15W, 115 V ac (OA109 Series)

RS Stock number [619-6781](#)



Frame and Impeller
PBT, UL94V-0 Thermoplastic

Finger Guard: G109-15A

Plastic Guard: G120P

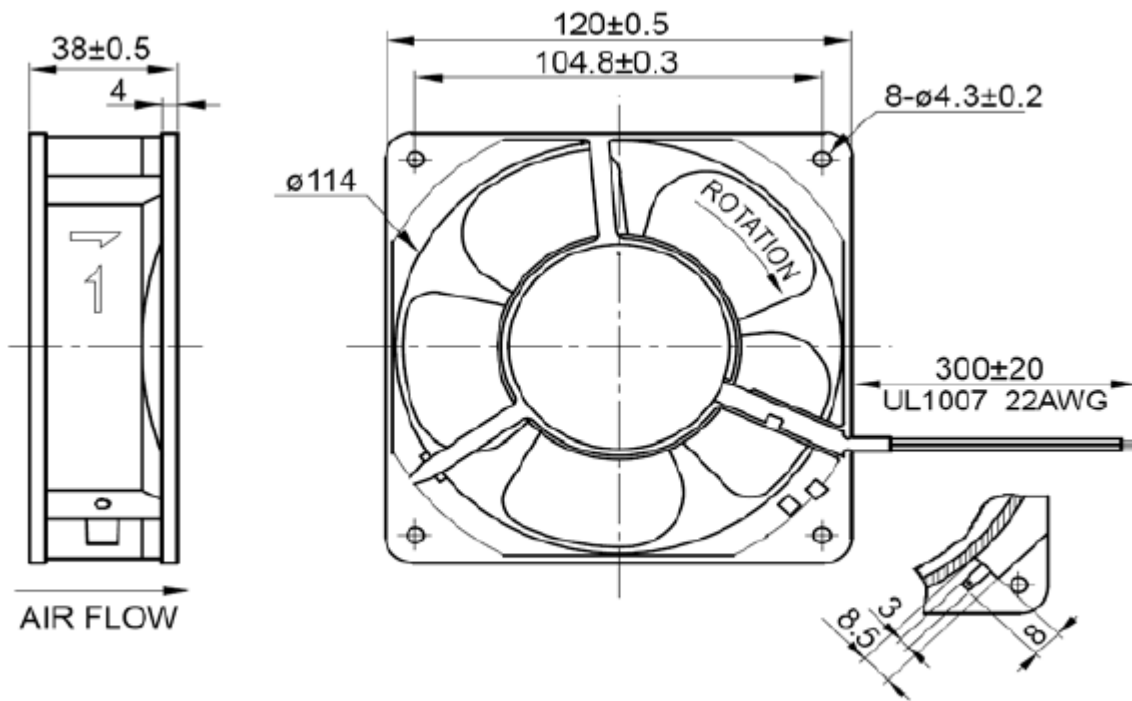
Filter Kit: GRM120-30, GRM120-40

Aluminum Filter: WMG120M

| RS Part Number | Speed (RPM) | Airflow (CFM) | Noise (db) | Volts (AC) | Voltage Range | Watts | Lead Type |
|----------------|-------------|---------------|------------|------------|---------------|-------|-----------|
| 6196775 | 3000 | 110 | 47 | 115 | 80~130 | 15 | Terminal |
| 6196781 | 3000 | 110 | 47 | 115 | 80~130 | 15 | Terminal |
| 6196804 | 3000 | 110 | 47 | 230 | 160~260 | 15 | Terminal |
| 6196826 | 3000 | 110 | 47 | 230 | 160~260 | 15 | Terminal |

*20: Indicates Environmentally Protective Coating

Data Tolerance +/- 10%

Drawing(mm):

*Drawing for Dimensional Reference Only

MOTOR

Shaded Pole, Impedance Protected

Dielectric Strength

1 Minute at 1500 VAC, 50/60 Hz

LIFE EXPECTANCY (L10)

Ball Bearing 60,000 Hours

Operating Temperature

-20C ~ +80C

Safety Approvals

UL/CUL, TUV, CE