

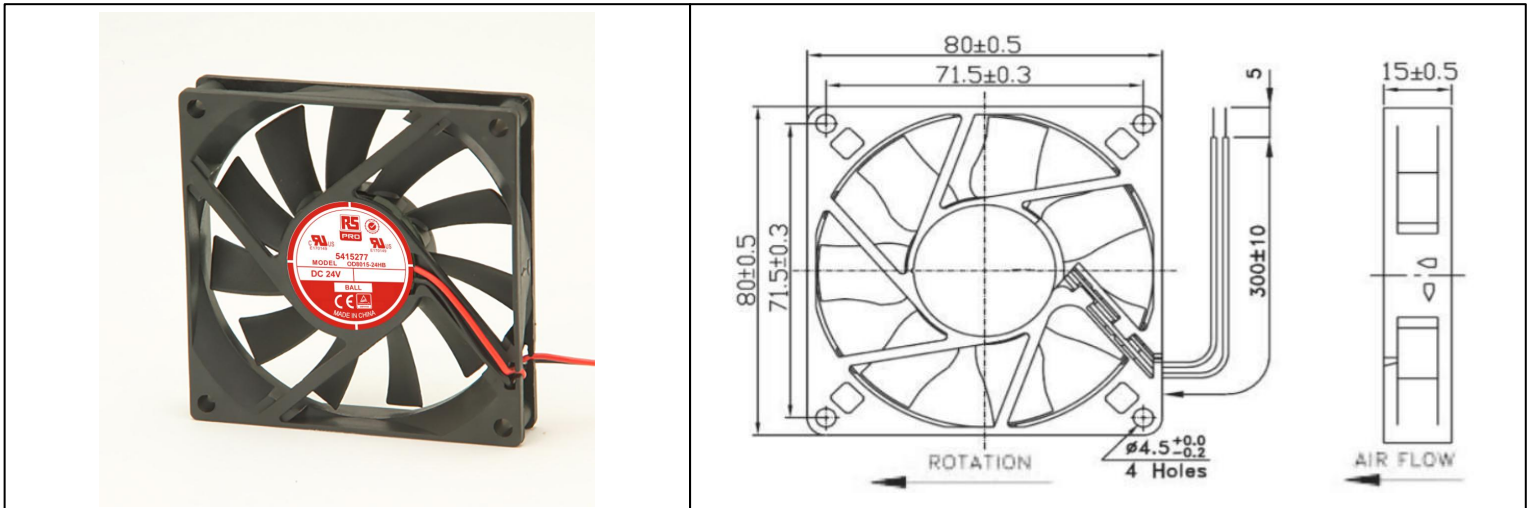


Datasheet

RS PRO DC FAN 80x15mm

Stock Number: 541-5277

EN



Frame	PBT UL94 V-0 Plastic	<p><u>Operating Temperature</u> -20°C ~ +80°C</p> <p><u>Storage Temperature</u> -40°C ~ +80°C</p> <p><u>Life Expectancy</u> 60,000 hours (L10 at 45°C)</p> <p>Weight: 0.064Kgs (0.14 lbs)</p>	
Impeller	PBT UL94 V-0 Plastic		
Connection	2x Wire Leads, 24 AWG		
Motor	Brushless DC, Auto Cutoff, Auto Restart, Polarity Protected		
Bearing System	Dual Ball Bearings		
Dielectric Strength	500VAC/min < 1mA		
Insulation Resistance	10M ohm between leadwire and frame (500VDC)		

Model Number	541-5277
Rated Voltage	24 VDC
Voltage Range	22.6~26.4 VDC
Rated Current	0.10 A
Rated Speed (RPM)	3200
Airflow (CFM)	30
Noise Level (dB)	33
Max. Static Pressure	0.11" H ₂ O