

FEATURES

- Rated Voltages 240V a.c./120V d.c., 690V a.c./350V d.c.
- Breaking Capacities 100kA a.c. 100kA d.c.
- Breaking Range and Utilisation Category aR

RS PRO BS SEMICONDUCTOR PROTECTION FUSE-LINKS WITH BOLTED CONNECTIONS

RS Stock No.: 2213669, 2213670



RS Professionally Approved Products bring to you professional quality parts across all product categories. Our product range has been tested by engineers and provides a comparable quality to the leading brands without paying a premium price.

Bolted Tag Fuses

Product Description

A comprehensive range of Fuse-Links for the protection of semiconductor devices. The 240 and 690-volt series comply with the performance and dimensional requirements of BS 88: Part 4 and IEC 60269-4.

In addition to the current ratings specified in IEC 60269-4 and BS 88-4, other non-standard current ratings are available.

Indicators

Trip-indicator fuse-links are available for use in parallel with the main fuse-link. Indicator fuse-links can either be attached to the associated fuse-link or mounted separately in panel mounted fuse clips.

A push-on adaptor and micro switch attachment is available for use with the trip indicator to give the facility of remote indication.

General Specifications

Current Rating	160 A
Voltage Rating	350 V dc, 690 V ac
Fuse Standard	IEC 60269-4/BS 88-4
Fixing Centres	70 mm
Tag Width	32 mm
Overall Length	95 mm
Body Diameter	19.9 mm
Body Length	50.6 mm

Approvals

Standards Met	IEC 60269-4/BS 88-4
---------------	---------------------

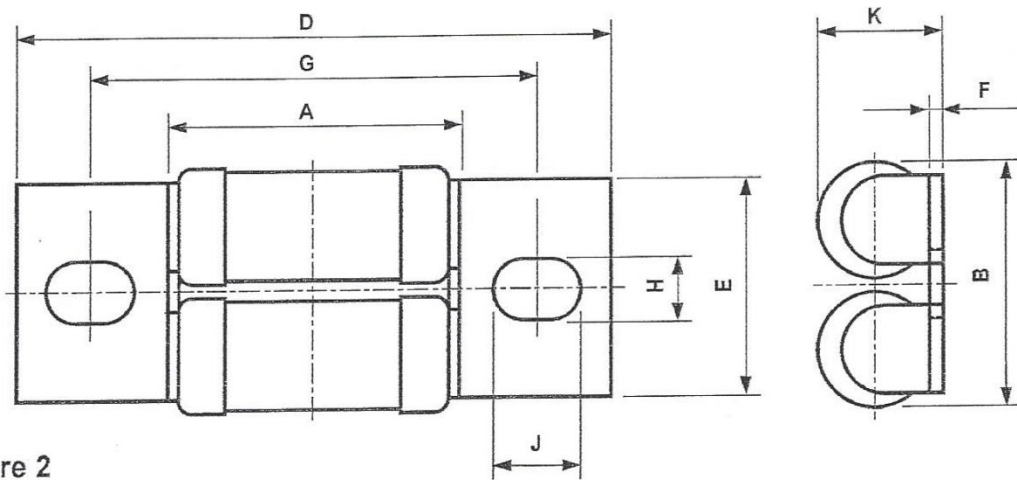


Figure 2

Voltage Rating (V)	Current Rating (A)	Fig No.	Dimensions in millimetres								
			A max.	B max.	D max.	E nom.	F max.	G nom.	H nom.	J min.	K max.
690	125-200	2	50.6	37	95	32	1.6	70	8.7	10.3	19.9