

## FEATURES

- Type E - French plug
- Various numbers of sockets
- Low cost, due to non-added surge protection
- Flame retardant plastic
- Various lead lengths

## RS PRO 5m 1 Socket Type E - French Extension Lead, 230 V ac

RS Stock No.: 877-1665



RS Professionally Approved Products bring to you professional quality parts across all product categories. Our product range has been tested by engineers and provides a comparable quality to the leading brands without paying a premium price.

## Product Description

Brought to you by RS Pro, a range of Type E - French socket extension leads, suitable for a variety of electrical applications. Manufactured from a completely flame retardant ABS plastic, this extension lead performs excellently within both industrial and domestic environments. Each French socket is individually switched for both convenience and sustainability. All models are highly reliable and excellent quality.

## General Specifications

<b>Type</b>	Extension Cable
<b>Colour</b>	Black
<b>Number of Sockets</b>	1
<b>European Harmonised Code</b>	H05VV-F
<b>Cable</b>	3G 1.5MM style
<b>Application</b>	Mobile phone chargers, including those with a USB connectivity, Household entertainment (TVs, satellite boxes, routers etc.), Industrial machines and equipment, Office desks (Monitors, computers, phones), Any electrical device needed to be powered by the mains

## Electrical Specifications

<b>Mains Plug Type</b>	Type E - French
<b>Socket Type</b>	Type E - French
<b>Voltage Rating</b>	230V ac
<b>Current Rating (Unwound)</b>	16A
<b>Frequency</b>	50/60Hz

## Mechanical Specifications

Mounting type	Cable Mount
Cable Length	5m
Cross Sectional Area	1.5mm <sup>2</sup>

## Operation Environment Specifications

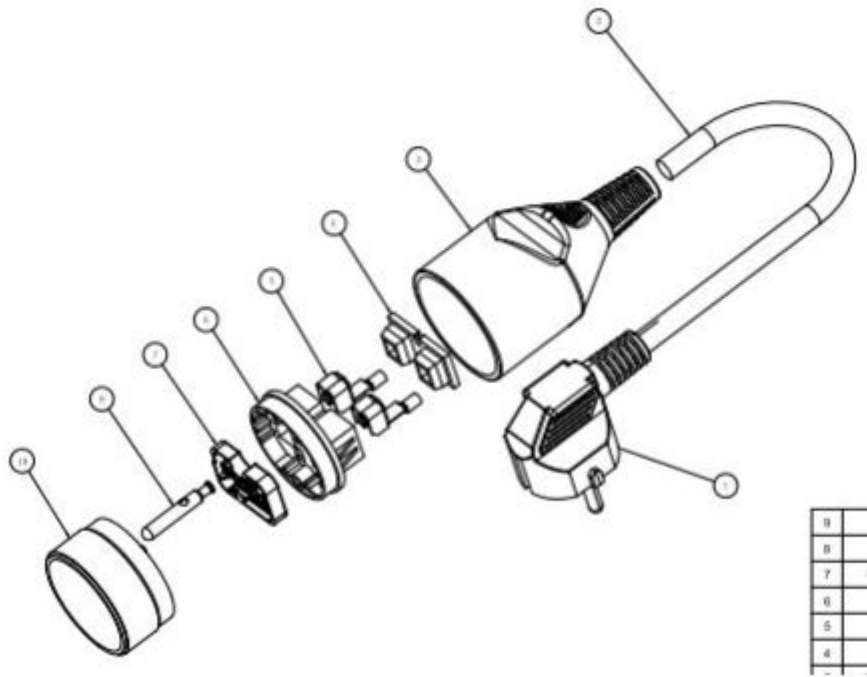
Operating Temperature	-20°C to +80°C
-----------------------	----------------

## Approvals

Compliance/Certifications	EN61340
---------------------------	---------



## Assembly of accessories:



10
9
8
7
6
5
4