



Datasheet

ENGLISH

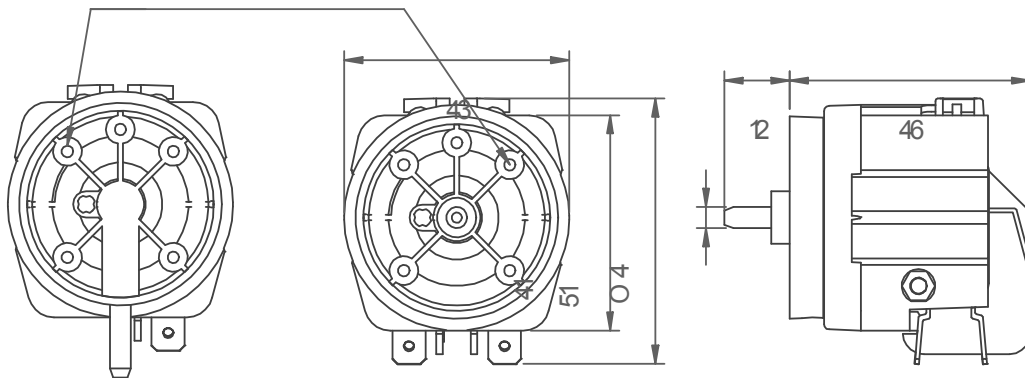
DPCO Surface Mount Momentary Air Switch RS Stock No. 316-951

Fixing holes to suit

No 4 Self tap 4.0 deep

on a 28.5 P.C.D

NOTE Longer screws will penetrate
the diaphragm chamber.



Side Entry

Back Entry

FEATURES:

- Double action changeover switch
- Electrical rating 16A 250V AC
- Side entry 4mm spout
- Use with 3mm I/D tubing