

FEATURES

- IP67
- Front/ screw mounting with M16 thread
- Solder Terminals

RS PRO M12 MALE FRONT PANEL MOUNT CONNECTOR 4 PIN 16 X 1.5 mm THREAD SOLDER TERMINAL

RS Stock No.: 2080591



RS Professionally Approved Products bring to you professional quality parts across all product categories. Our product range has been tested by engineers and provides a comparable quality to the leading brands without paying a premium price.

Product Description

ATTRIBUTE 1

M12 Connector M16 Clamp Nut

A series of RS Pro M12 panel-mounted connectors has socket type connection. This panel mount connector has a voltage rating of 250VAC and a current rating of up to 4A per contact.

Features & Benefits

- Front/ screw mounting with M16 thread
- Solder Terminals
- Number of poles: 4

Applications

The RS PRO series of M12 panel mount connectors are generally used in industrial applications. They are typically used when connecting to sensors and actuators. Some of the most popular areas are

- Instrumentation
- Process control
- Robotics
- Assembly lines
- Factory automation
- Industrial automation

General Specifications

| | |
|---------------------------|----------------------------|
| Rated Operational Voltage | 250 V |
| Current Rating | 4A |
| Insulation Resistance | $\geq 100 \text{ M}\Omega$ |
| Temperature Range | -25°C ... +75°C |
| Mounting | Front (M16 x 1.5) |
| Coding | A-Coded |

Material Specifications

| | |
|------------------|-----------------|
| Housing Material | Brass Ni Plated |
| Contact | Cu-Zn |
| Contact Plating | Gold Flash |
| Contact Carrier | Nylon 66 |

RS PRO M12 PANEL MOUNT CONNECTOR

| | |
|-------------|------------|
| O-Ring | Neoprene |
| Pole | 4 |
| Clamp Nut | M16 x 1.5 |
| Termination | Solderable |

Protection Category

| | |
|----------------------|------|
| Degree of Protection | IP67 |
|----------------------|------|

Additional Information

| | |
|----------------------|----------|
| Custom Tariff Number | 85369090 |
|----------------------|----------|

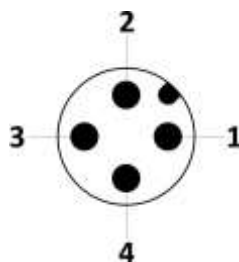
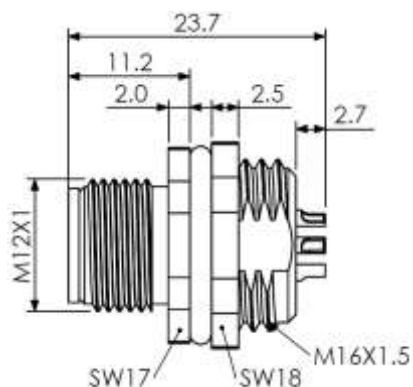
Approvals

| | |
|---------------|-----------------|
| Standards Met | IEC 61076-2-101 |
|---------------|-----------------|

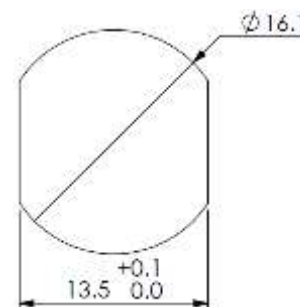
Similar Products

| Stock No. | Brand | Product Name | Attribute 1 | Attribute 2 |
|-----------|--------|--|--------------------------------------|-----------------|
| 144-7600 | RS PRO | RS PRO M12 Panel Connector Front 4 Pin 300mm Cable | M12 4 Pin Female Bulk Head Connector | M12 Receptacles |

Connection Diagrams / Assembly Diagrams / Illustrations / Accessories



Panel Cutout



All Dimensions are in mm.