

Datasheet

Stock No: 419-7366

Tee Male 1/4in, 1/4 in R Male, Polyamide

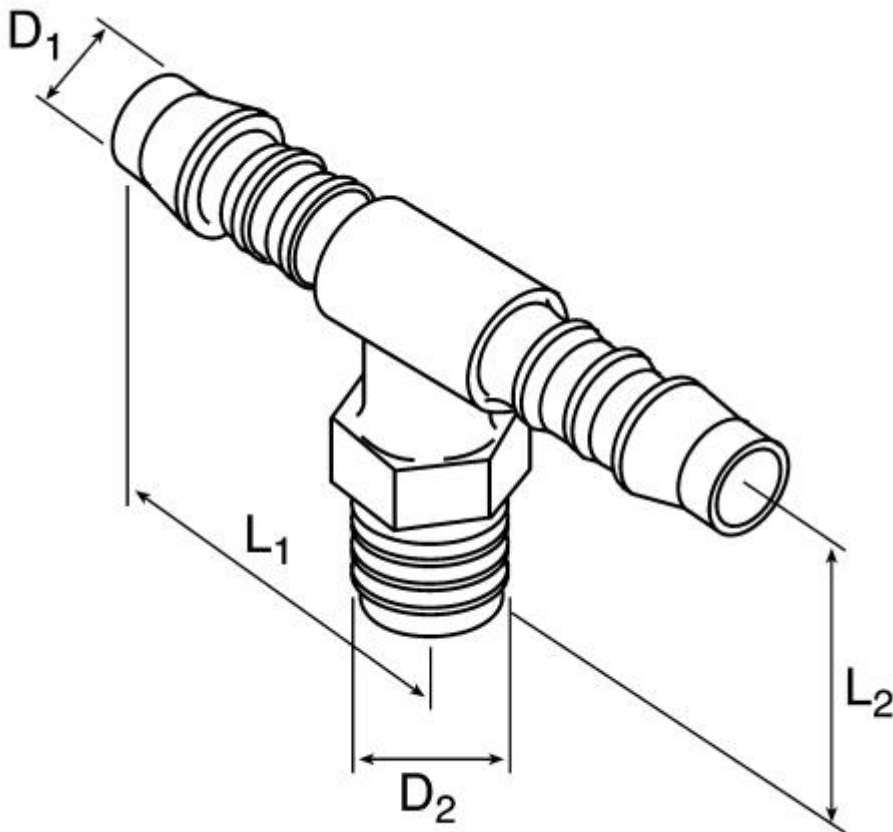


Image representative of range

Product Details

Tee Connector

Plastic Push Fittings

Polyamide, tough, lightweight, good impact and wear resistance

Male BSPT, deep moulded ribs, allow use of hose clips, positive sealing

Specifications:

Hose Inner Diameter	6mm
Body Material	Polyamide
Threaded Connection	1/4 in R Male
Thread Size	1/4in
Coupling Gender	Male
Coupling Connector Direction	Tee
Thread Gender	Male
Thread Standard	R