



ENGLISH

Datasheet

RS Article:1854669

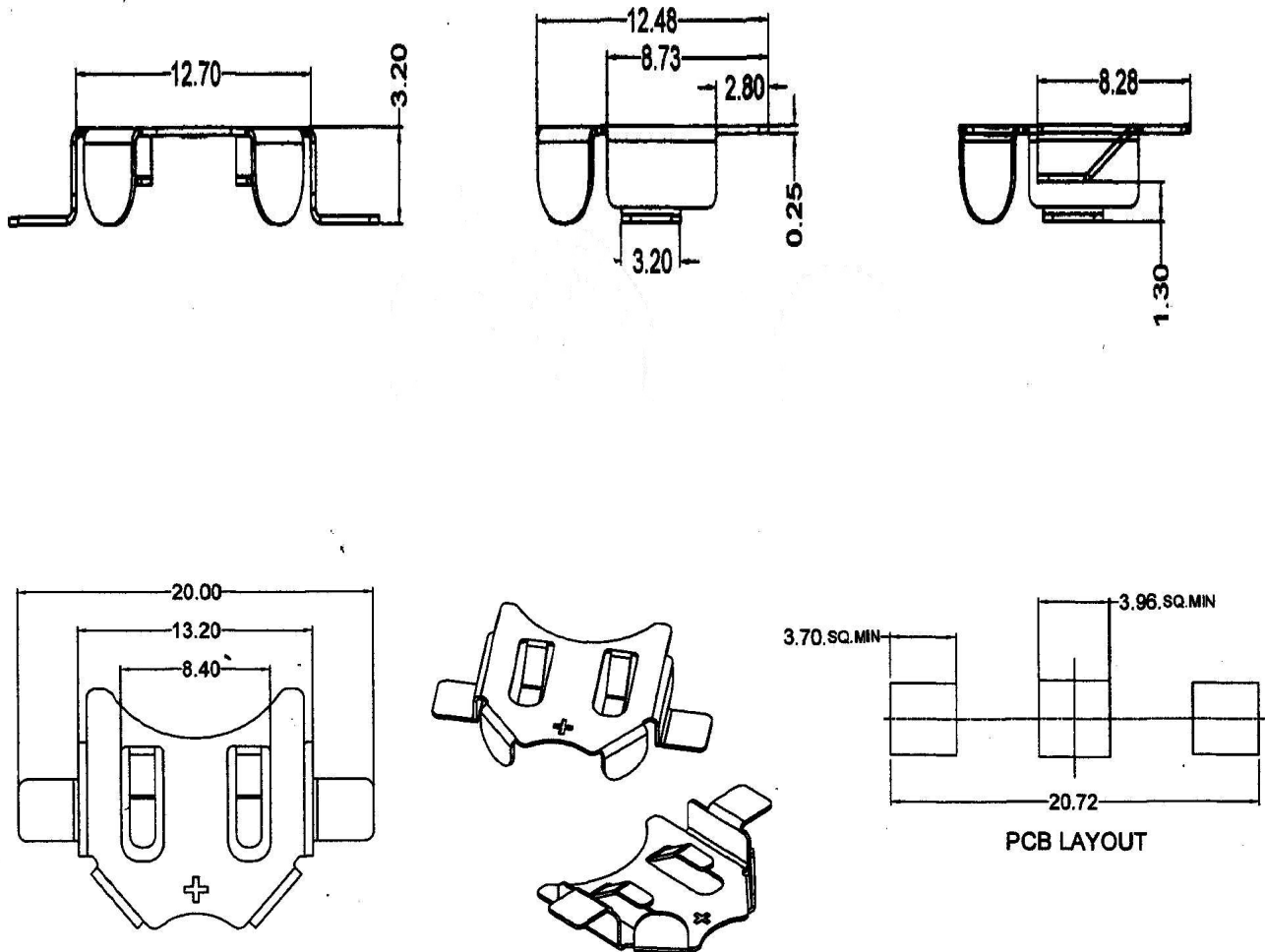
RS Pro Battery Holder



1. Preface:

The purpose of this product specification is to Dimension and drawing

Metal Coin Cell Holder CR1220 CR1216



NOTES:

0.25mm PHOSPHOR BRONZE 1/2H, NICKEL PLATED 4"- 6u"
TEMPERATURE RANGE: -40°C TO +270°C

ROHS 2 COMPLIANT

Measure: mm