

FEATURES

- Digital caliper and micrometer measuring set
- Made of stainless steel
- Maximum caliper measurement of 150mm/6"
- Maximum micrometer measurement of 25mm


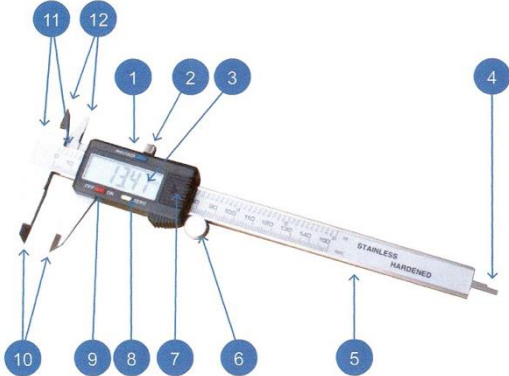
RS PRO Digital Measuring Set

RS Stock No.: 2436624, 2436852, 2436853,
2436854, 2436856, 2436857



RS Professionally Approved Products bring to you professional quality parts across all product categories. Our product range has been tested by engineers and provides a comparable quality to the leading brands without paying a premium price.

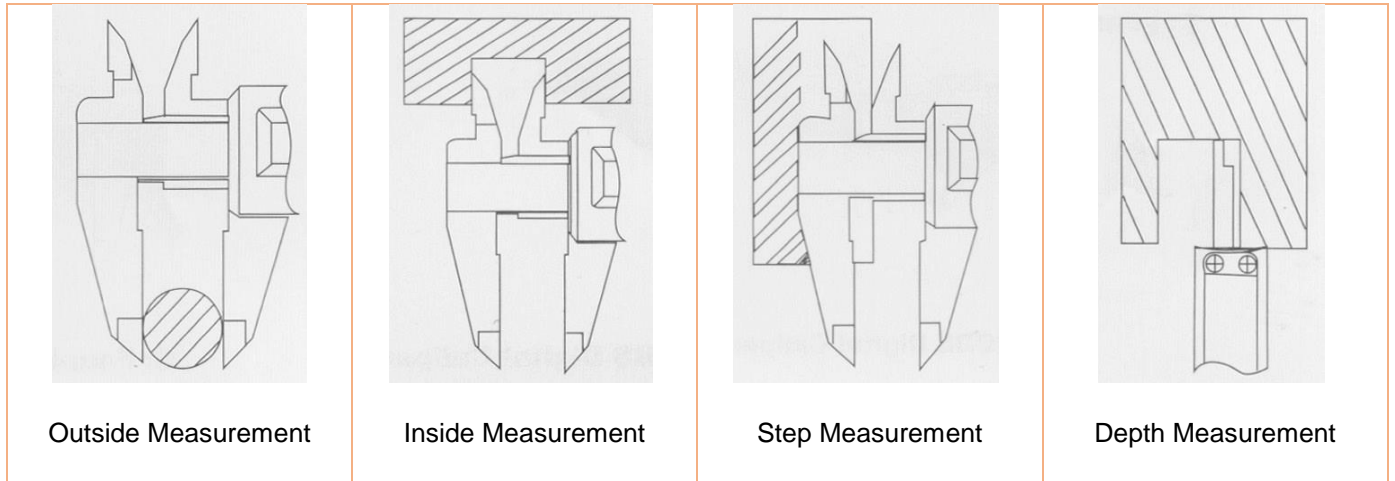
Product Description

 <p>Metric / Inch model</p>	<p>Hardened stainless steel frame and measuring jaws Thumbroll adjustment Knurled locking screw Depth rod Clear LCD Display Large 11mm digits Inch/Metric conversion Origin setting Resolution: 0.01mm / 0.0005" Repeatability: 0.01mm / 0.0005" 4 Way measurement: Individual serial numbers Power: 1 x Silver oxide battery SR44 - 1.55v Operating temperature: 5 - 40°C Relative humidity: Maximum 80% Warranty: 1 year</p>
	<p>1 Metric / Inch Conversion Button 2 Knurled Locking Screw 3 LCD Display 4 Depth Measuring Blade 5 Caliper Beam 6 Thumbroll Fine Adjustment 7 Battery Cover 8 Zero Set Button 9 Power Button ON/OFF 10 External Measuring Jaws 11 Step Measuring Faces 12 Internal Measuring Jaws</p>
<p>Manufacturers code</p>	<p>2436624</p>
<p>Description</p>	<p>Electronic Caliper 0-150mm/0-6"</p>

General Specifications

Range	150mm/6"
Resolution	0.01mm/0.0005"
Repeatability	0.01mm/0.0005"
Accuracy	±0.02mm (≤ 100mm) ±0.03mm (≥ 100mm – 150mm)
External Jaw Length	40mm
Internal Jaw Length	18mm

4 Way Measurement Feature



OPERATING INSTRUCTIONS

When using the Caliper for the first time or after a period of non-use, wipe the beam scale with a dry clean cloth to remove any condensation or oil deposits.

Prior to setting the caliper for measuring, first clean the measuring faces with a soft clean cloth or paper.

Switch Caliper ON

Move Caliper jaws together.

Select required measuring mode Inch / Metric.

Zero display, caliper is now ready for direct measurement.

Caliper can be zeroed at any position within its range, to provide relative measurements.

Caliper provides 4 way measurements, External, Internal, Step and Depth.

	<ul style="list-style-type: none"> Splash / Dust Resistant Large easy to read LCD display. True inch/metric conversion. Tungsten Carbide anvil faces Friction style thimble and Spindle lock lever. Heat/Splash guard fitted to frame. Measuring force 5 – 10N. Maximum Measuring Speed 80mm / sec. Operating temperature 0 - 40°C Storage temperature -20 to 60°C Powered by single Lithium CR2032 3v battery Micrometer automatically switches off after 4 minutes of non-use
Manufacturers code	
Description	Electronic Splash/Dust Proof Micrometer 0 – 25mm

General Specifications

Resolution	0.001mm/0.00005"
Repeatability	0.001mm
Accuracy	0.004mm/±0.002mm

OPERATING CARE

Clean measuring faces with dry soft cloth
 Keep away from strong magnetic fields
 Prevent ingress of oil / liquids into electronics
 Remove battery if instrument is not used for a long period of time
 Do not disassemble or drop the instrument

Do not mark instrument by engraving, etching or any other permanent marking method, as this will invalidate the warranty

FAULT FINDING

Fault	Cause	Action
Display flashes	Battery voltage below 1.45volts	Replace battery
Display frozen	Circuit overload	Remove battery and replace after 4 minutes
Accuracy below specification but within +/- 0.1mm	Dirt in sensor	Remove slider cover assembly, clean face of sensor with dry clean compressed air (5kg/cm ²)
No display	Poor battery contact Dead battery	Remove battery and carefully adjust battery contacts, replace battery. Replace battery.