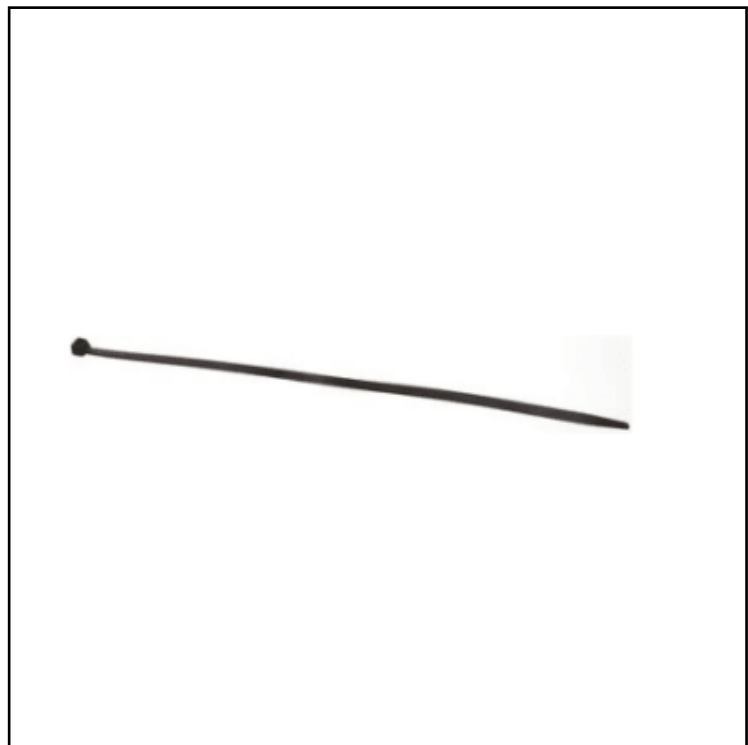


FEATURES

- Flame retardant
- Suitable for a multitude of uses
- Easy to thread
- Cable ties are cheap, easy to use and strong

RS PRO Black Nylon Cable Tie, 450mm x 8 mm

RS Stock No.: 811-1678



RS Professionally Approved Products bring to you professional quality parts across all product categories. Our product range has been tested by engineers and provides a comparable quality to the leading brands without paying a premium price.

Product Description

RS PRO cable ties are a type of fastener used for holding items together, most commonly electrical cables or wires. These cable ties are made from Nylon 66 (also known as nylon 6.6) and are a one-piece, self-locking fastener. Functioning like straps to keep cables tidy, they're available in a range of sizes and colours.

General Specifications

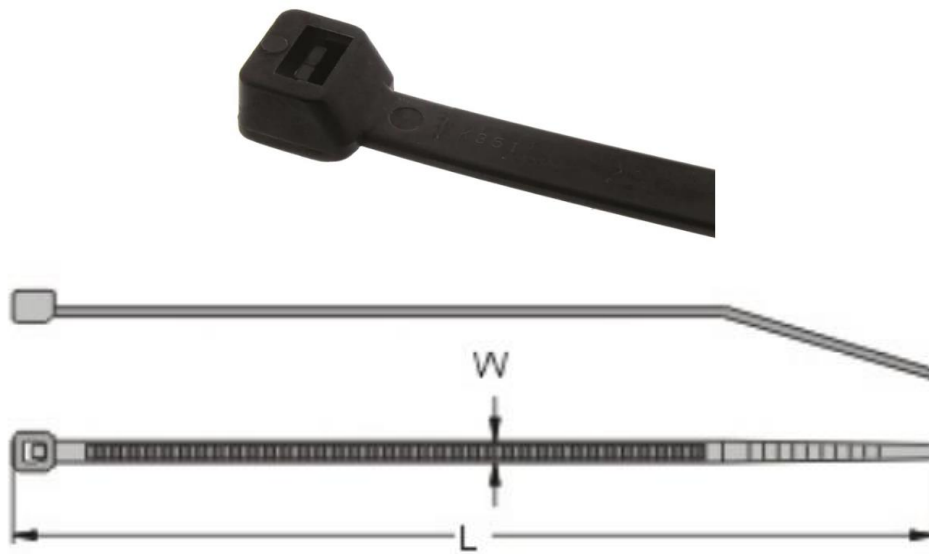
Type	Non-Releasable
Colour	Black
Material	Nylon 66
Application	Bundling wire together, applications in industries such as: Cable management, Home/DIY, Garden.
Fire Behaviour	Flame Retardant
Quantity	100

Mechanical Specifications

Length	450mm
Width	8mm
Tensile Strength	588N
Maximum Bundle Strength	128mm

Approvals

Standards Met	UL 94V-2
----------------------	----------



RS Article No	SIZE	Max. Bundle Dia.	Min Loop Tensile Strength		COLOR	Packsize
			lbs	kgs		
8111650	300x4.8	83	50	22	Black	1000
8111662	368x4.8	105	50	22		
8111666	203x4.6	52	50	22		
8111669	380x7.6	105	120	55		
8111697	250x4.8	68	50	22		100
8111672	610x9.0	177	175	80		
8111675	550x12.7	159	250	114		
8111678	450x8.0	128	132	60		
8111681	762x9.0	227	175	80		
8111684	340x7.6	92	120	55		
8111688	300x7.6	80	120	55		