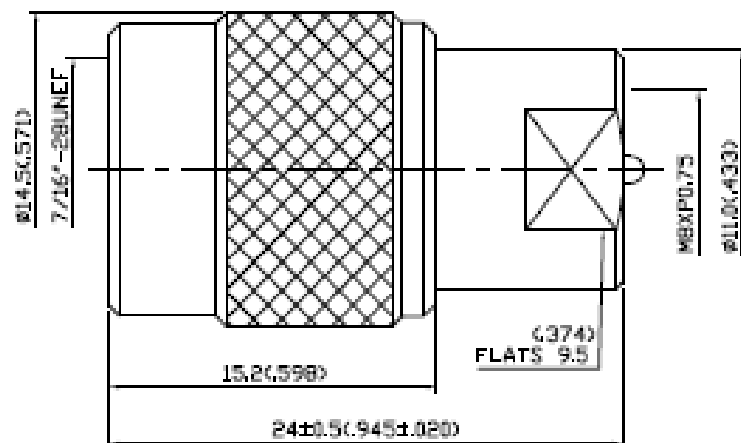


NO	DESCRIPTION	DATE
⚠	MODIFICATION CENTER CONTACT BACKGROUND FORMAT UPDATED	01.13.10'
⚠	ADD RADIAL TORQUE OF CENTER CONTACT	05.06.11'



#### 1.0 ELECTRICAL

- 1.1 FREQUENCY RANGE: DC-500 MHz  
1.2 NOMINAL IMPEDANCE: 50 OHM

#### 2.0 MATERIALS

- 2.1 BODIES: BRASS PER JIS-C3604  
2.2 CENTER CONTACT: BRASS PER JIS-C3604  
2.3 INSULATION: TEFLON PER ASTM D1497 AND ASTM D4710  
2.4 FINISHES AND OTHERS

- 3.1 SEE BELOW TABLE FOR DETAILS  
3.2 RADIAL TORQUE OF CENTER CONTACT: NO APPLICABLE ⚠

#### 4.0 ENVIRONMENTAL

- 4.1 OPERATING TEMPERATURE RANGE: -55° C TO +125° C

NO	DESCRIPTION	MATERIAL	Q'TY	FINISH
7	CENTER CONTACT	BRASS	1	GOLD
6	INSULATION	TEFLON	1	NONE
5	WASHER	BRASS	1	NONE
4	BODY	BRASS	1	NICKEL 100 μ" MIN.
3	GASKET	SILICONE	1	RED
2	INSULATION	TEFLON	1	NONE
1	SHELL	BRASS	1	NICKEL 100 μ" MIN.

APPROVED

by \_\_\_\_\_ DATE: \_\_\_\_\_



DESCRIPTION		FME PLUG - TNC PLUG		DATE		REV.	
DRAWN	Yoko	TOLERANCE	.X ±0.2	DATE	04.27.93	REV.	A-2
CHECK	Jacky	.XX ±0.1	UNIT	mm(In)			
APPROVAL	Jenny	.XXX ±0.05	SCALE	4:1			
ANGLE	±5°	比例	4:1	DWG. NO. 23-0044			