

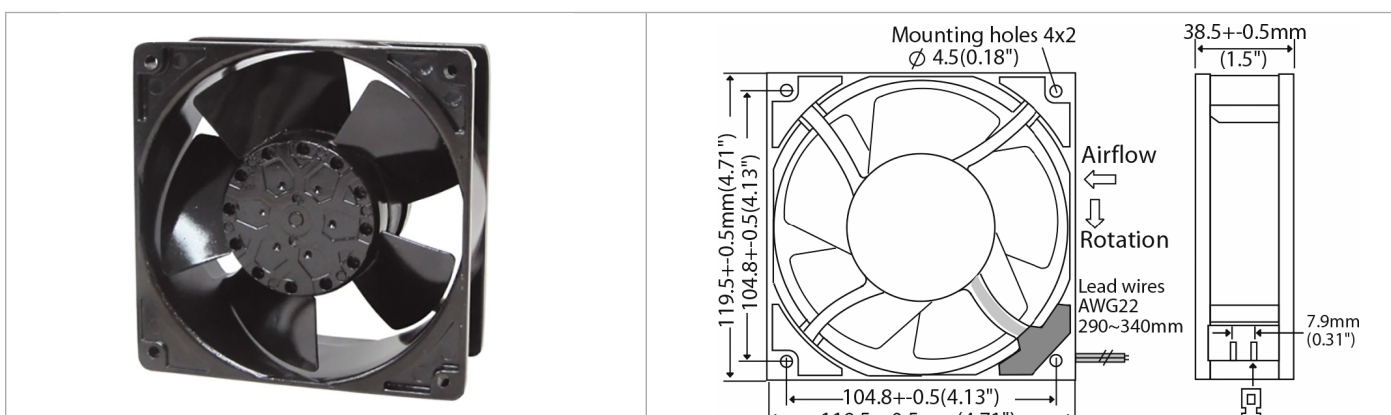


Datasheet

RS PRO AC AXIAL FAN 230VAC 120×38mm IP55 METAL

Stock number: 175-9806

EN



Frame	Diecast Aluminum	<u>Operating Temperature</u> Ball Bearing -30C ~ +80C (non-condensing) Storage Temp -40C ~ +100C <u>Life Expectancy</u> Ball Bearing 50,000 hours (L10 at 55C) <u>Environmental Protection</u> IP55 Weight: ~ 0.589 kg (1.3 lbs.) m0	
Impeller	Metal Alloy		
Connection	2x Lead Wires 22 AWG or terminals		
Motor	Shaded pole, impedance protected		
Bearing System	Dual ball bearing		
Insulation Resistance	>100M ohm between lead-wire and frame (500VDC)		
Dielectric Strength	1 min at 1500 VAC, 50/60Hz		

Model Number	175-9806
Nominal Voltage	230 VAC
Voltage Range	200-240 VAC
Rated Power	21 W
Rated Speed (RPM)	2650
Airflow - CFM	90
Noise Level - (dB)	48
Max. Static Pressure	0.25" H ₂ O