



Datasheet

RS PRO 10m D25 Way M to D25 Way Male Straight Through Cable

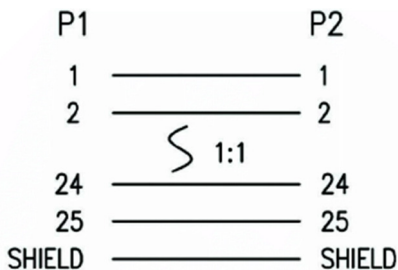
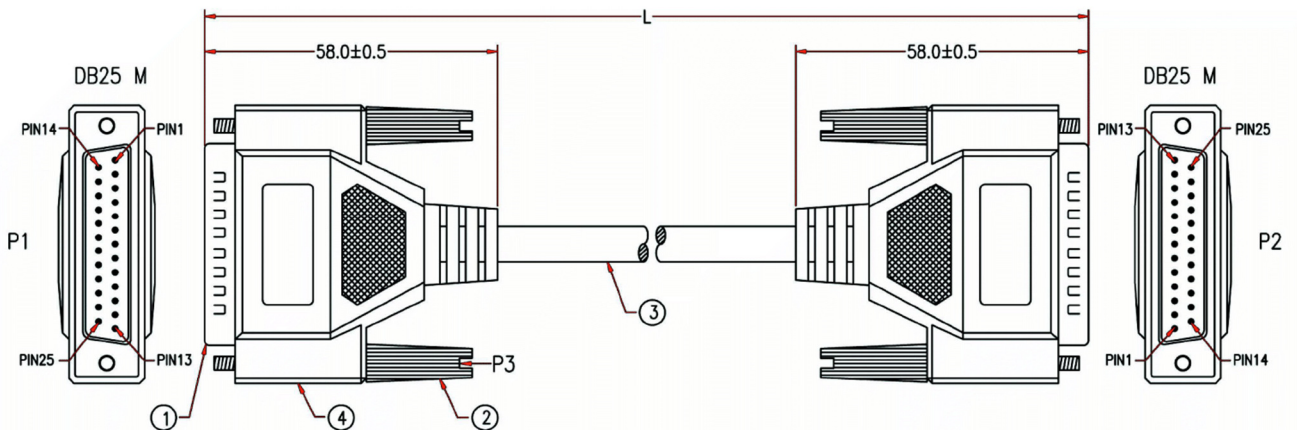
Stock number: 182-8822

EN

Our RS PRO 10m D25 male to D25 male is wire pin to pin has a beige PVC cable flex.

The connector hoods are made from beige PVC and have a strain relief on the end of the hood to support the cable and to stop the cable from splitting around the hood.

The cable flex has an outer diameter of 7mm and 28awg, the connectors have gold flash pins to help stop corrosion.



4	BLACK PVC TUBE \varnothing 3.0*30mm
	ALUMINUM FOIL 33*110mm
	MOLDED PE COLOR TRANSPARENT
	MOLDED PVC BEIGE
3	NON-UL 25C 28AWG, ALUM-MYLAR FOIL SHIELDING WITH DRAIN WIRE, OD 7.0mm, JACKET BEIGE
2	MOLDED THUMBSCREW #4-40, LENGTH 46.5mm, BEIGE
1	DB25 MALE, GOLD FLASH ON CONTACTS, BLUE INSULATOR

RoHS / REACH / CE