



905-8777

Mounting Bracket for Infrared Temperature Sensor

Provides a rigid support for the sensor

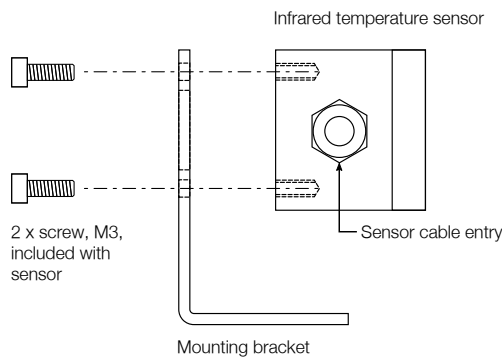
Allows 2-axis rotational adjustment

Robust stainless steel construction

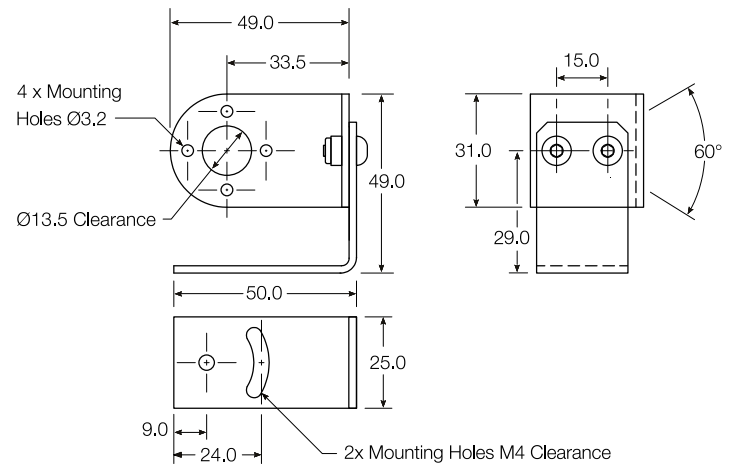
SPECIFICATIONS

Construction	Stainless steel
Weight	70 g

INSTALLATION



DIMENSIONS



ALSO AVAILABLE



Air purge collar
(RS Stock No. 905-8770)