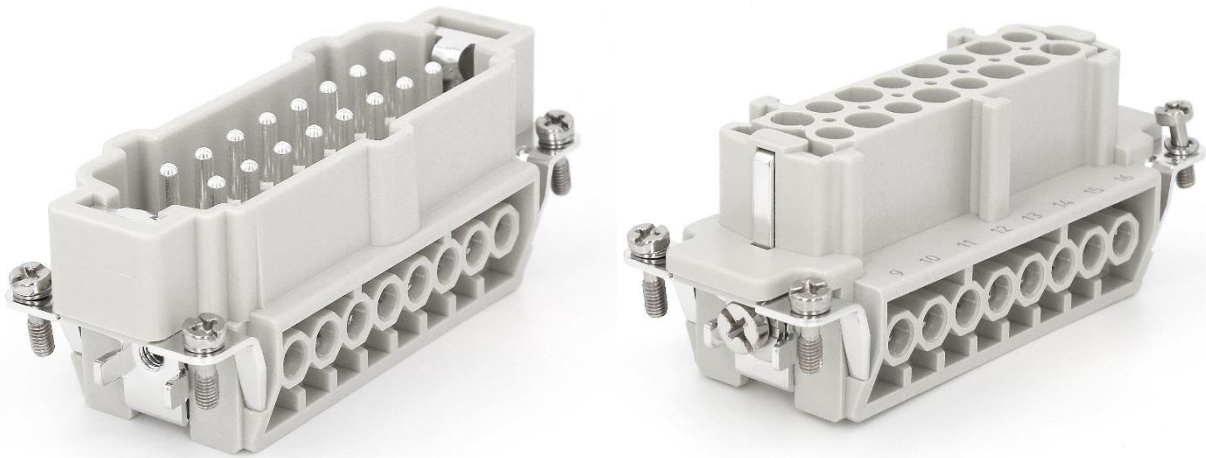


## Datasheet

# RS PRO HE Inserts



The RS Pro Heavy-Duty Connector series is a full range of heavy-duty inserts, housings, crimps and accessories. The housing is produced from corrosion resistant powder coated die cast Aluminium with locking levers made from galvanized Iron. These offer IP65 protection and come in standard or tall variations with both single and double locking options. The inserts are all made from Polycarbonate to industry standard sizes and are available in a choice of screw, crimp or spring clam terminations in a large variety of current ratings. The entire range of connectors are RoHS compliant and as with all RS Pro products, offer exceptional value for money.

## Features & Benefits:

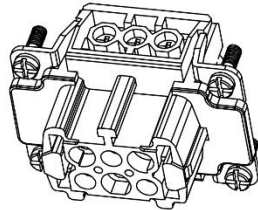
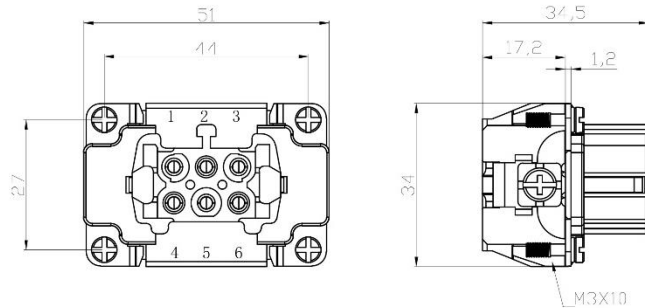
- Standard Inserts
- 6 to 48 Poles
- Crimp, Cage Clamp or Screw Termination
- Screw and Clamp AWG 26-14
- 16A, 500V
- For use with 16A crimps
- Polycarbonate Body

## Quality Standards

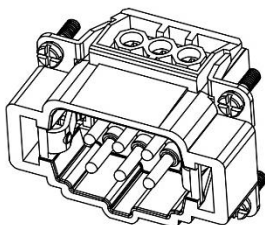
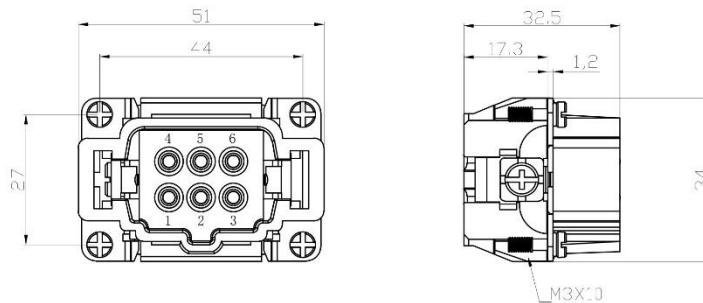


## Dimensional line drawings

### 6 Pole Female Screw for RS Pro H6B series Housing 208-4486



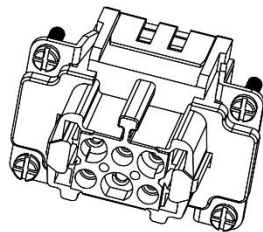
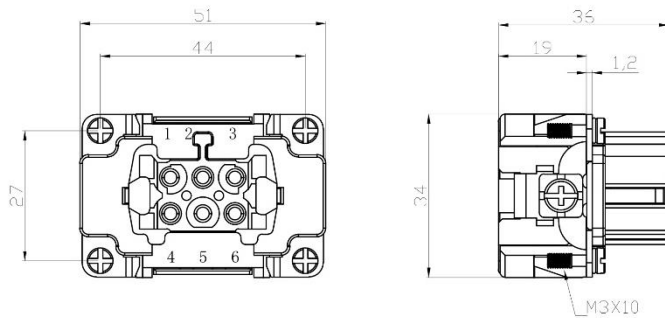
### 6 Pole Male Screw for RS Pro H6B series Housing 208-4489



## Dimensional line drawings

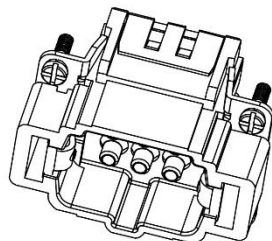
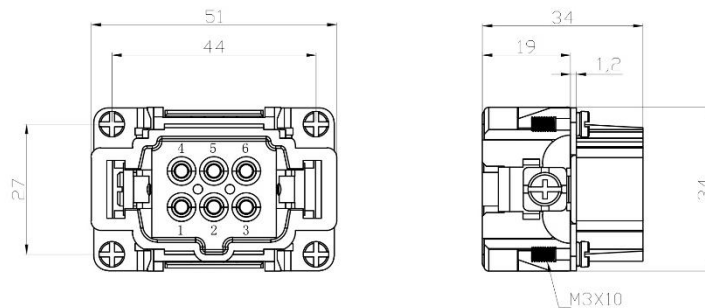
### 6 Pole Female Crimp for RS Pro H6B series Housing

208-4487



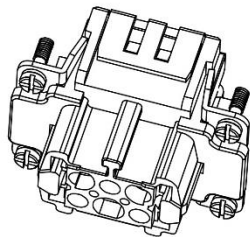
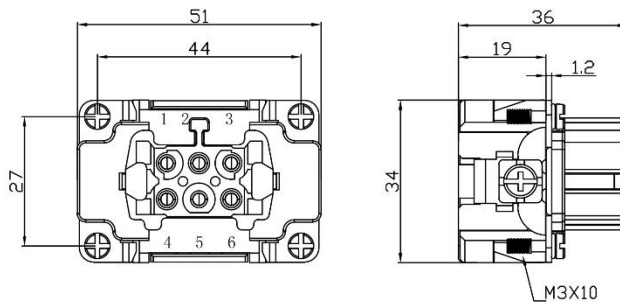
### 6 Pole Male Crimp for RS Pro H6B series Housing

208-4490

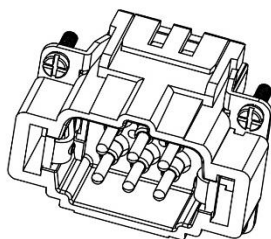
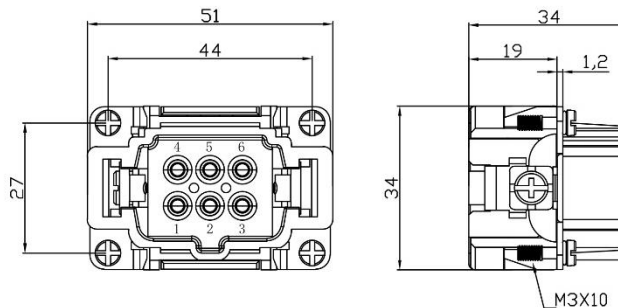


## Dimensional line drawings

### 6 Pole Female Cage Clamp for RS Pro H6B series Housing 208-4488

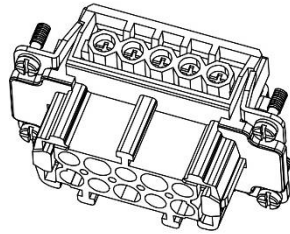
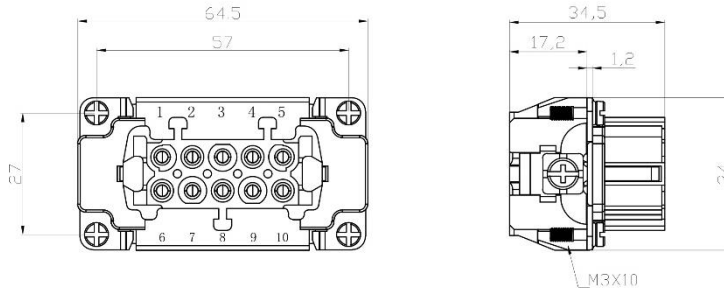


### 6 Pole Male Cage Clamp for RS Pro H6B series Housing 208-4491

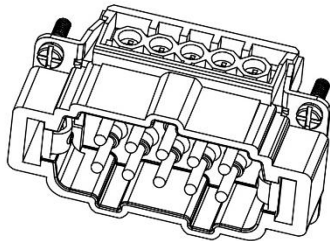
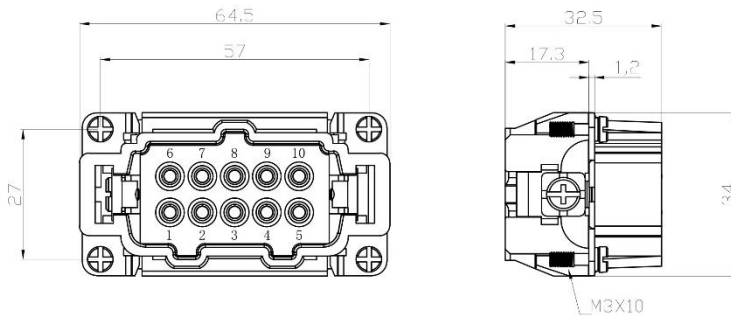


# Dimensional line drawings

## 10 Pole Female Screw for RS Pro H10B series Housing 208-4492

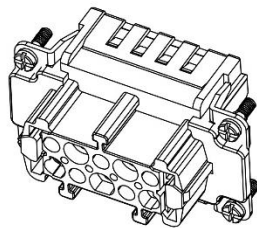
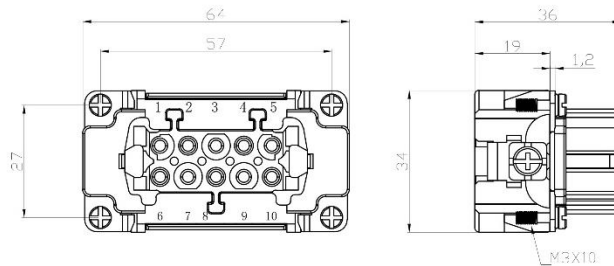


## 10 Pole Male Screw for RS Pro H10B series Housing 208-4495

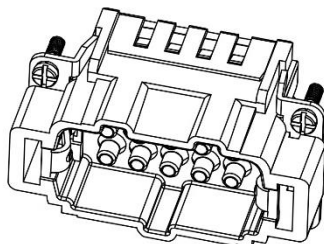
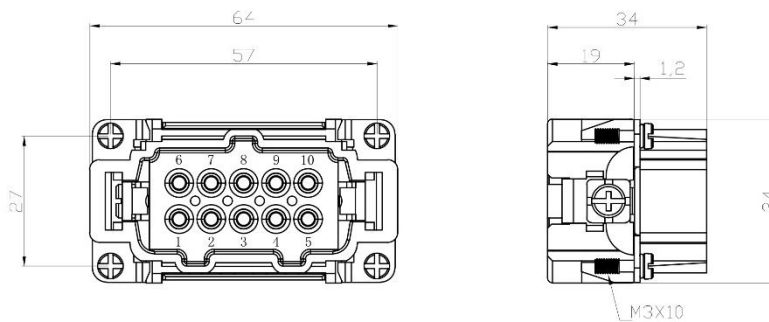


## Dimensional line drawings

### 10 Pole Female Crimp for RS Pro H10B series Housing 208-4493

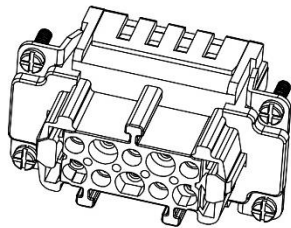
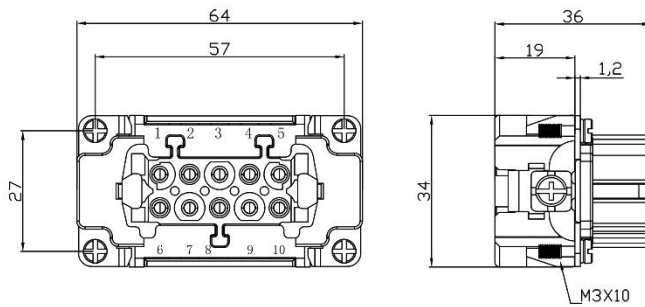


### 10 Pole Male Crimp for RS Pro H10B series Housing 208-4496

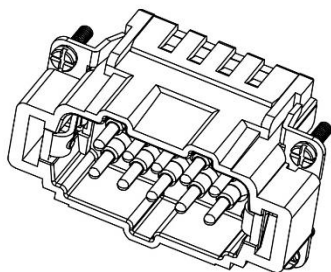
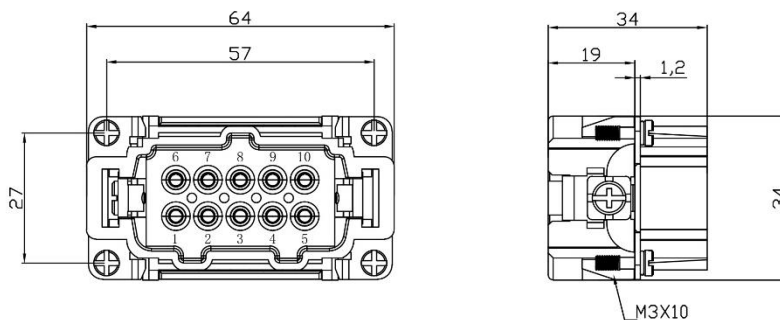


## Dimensional line drawings

### 10 Pole Female Cage Clamp for RS Pro H10B series Housing 208-4494



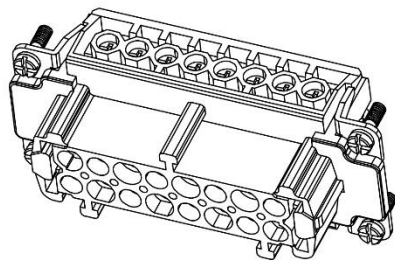
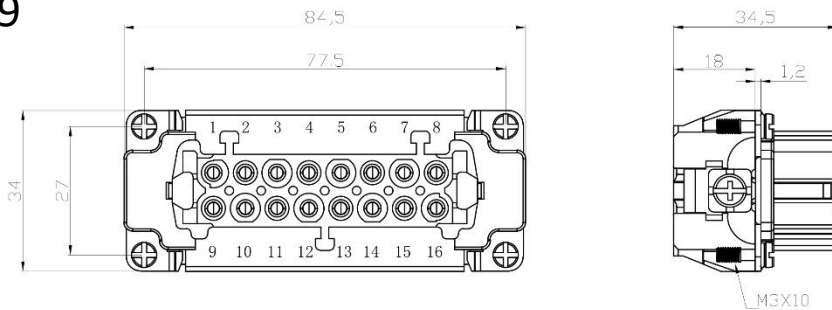
### 10 Pole Male Cage Clamp for RS Pro H10B series Housing 208-4497



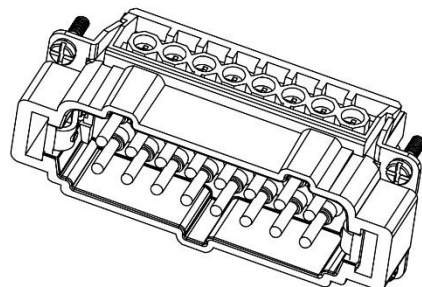
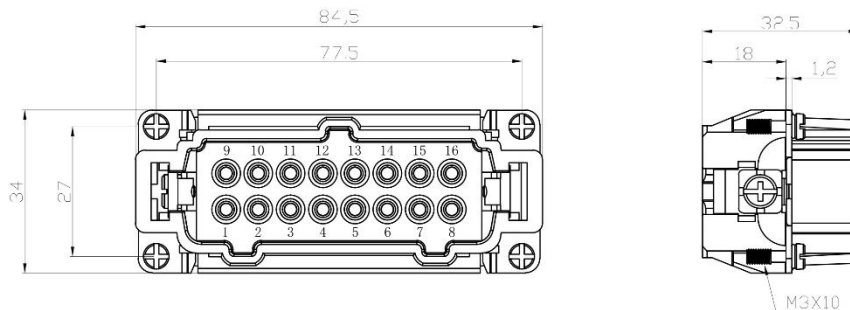


## Dimensional line drawings

### 16 Pole Female Screw for RS Pro H16B series Housing 208-4499

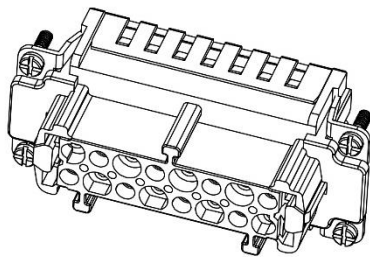
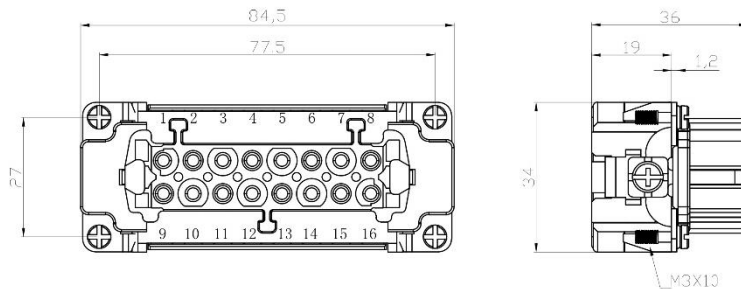


### 16 Pole Male Screw for RS Pro H16B series Housing 208-4502

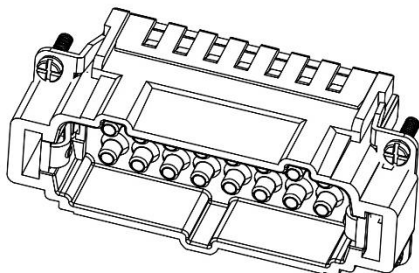
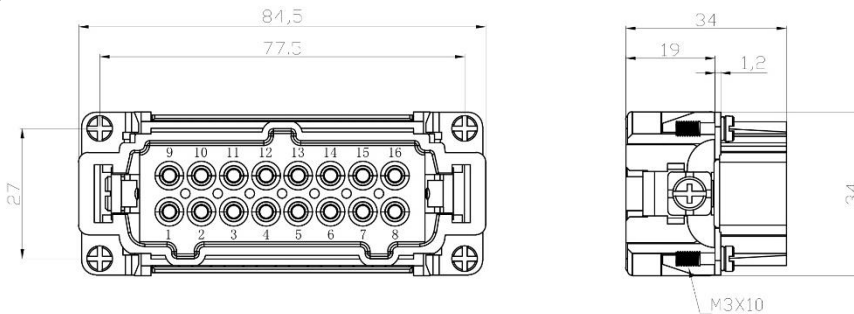


## Dimensional line drawings

### 16 Pole Female Crimp for RS Pro H16B series Housing 208-4500

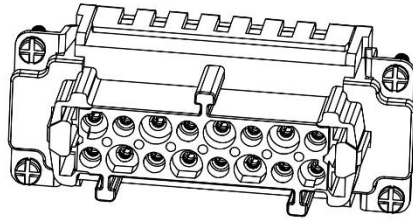
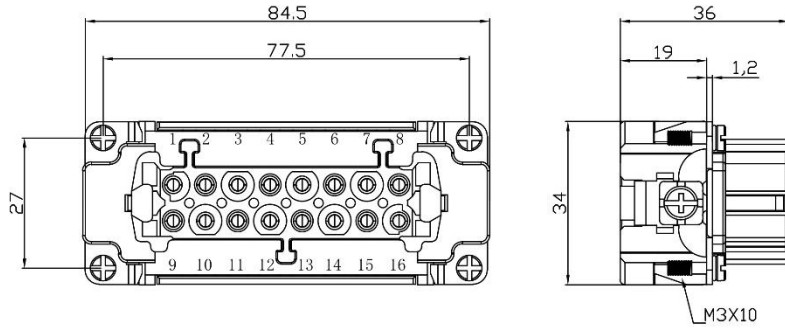


### 16 Pole Male Crimp for RS Pro H16B series Housing 208-4503

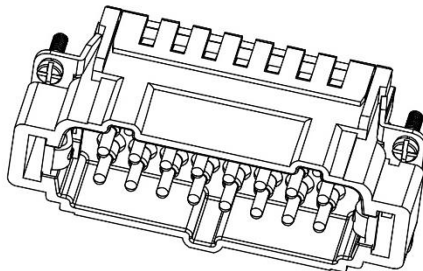
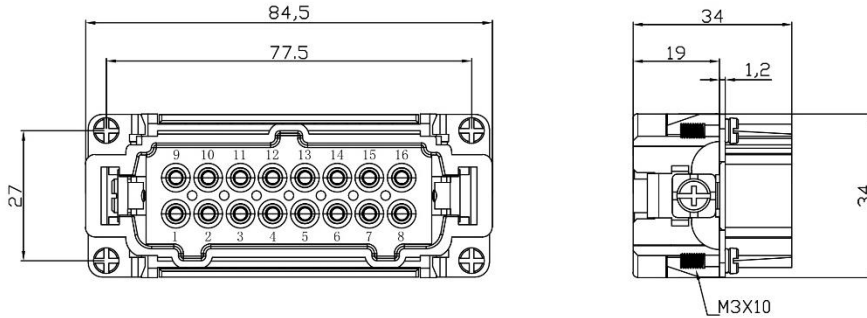


# Dimensional line drawings

## 16 Pole Female Cage Clamp for RS Pro H16B series Housing 208-4501

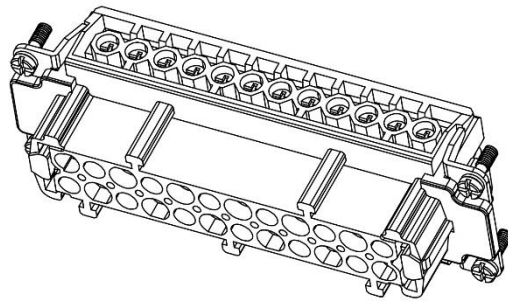
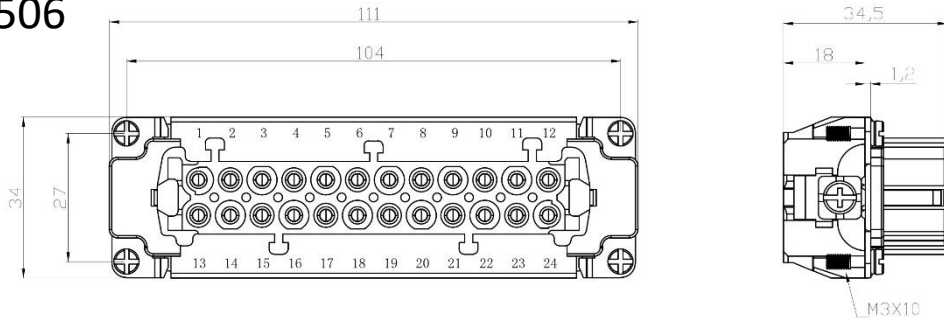


## 16 Pole Male Cage Clamp for RS Pro H16B series Housing 208-4504

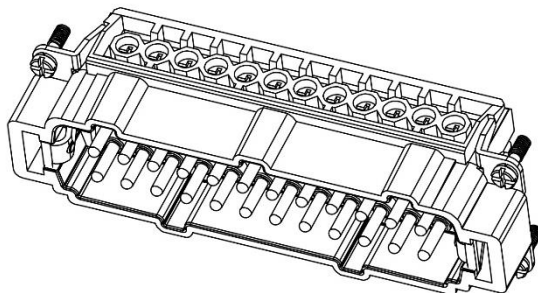
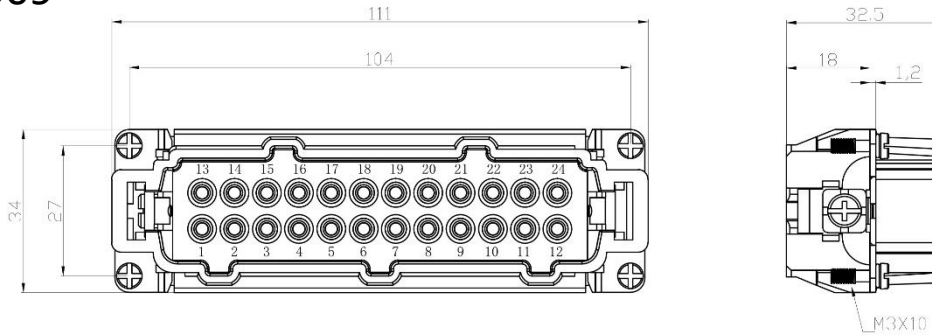


# Dimensional line drawings

## 24 Pole Female Screw for RS Pro H24B series Housing 208-4506

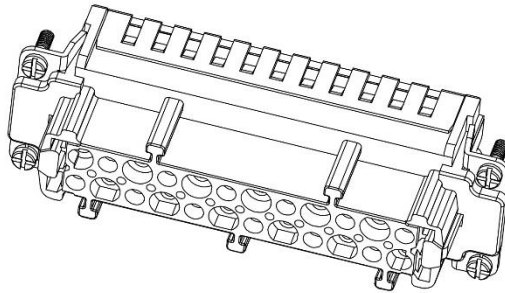
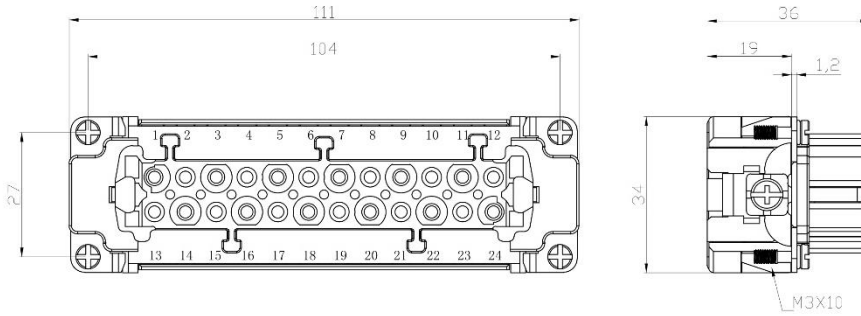


## 24 Pole Male Screw for RS Pro H24B series Housing 208-4509

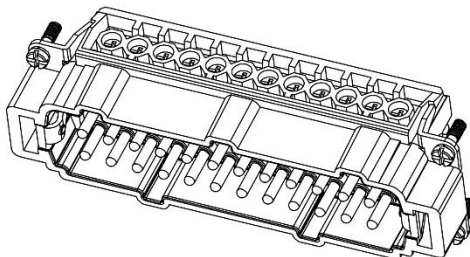
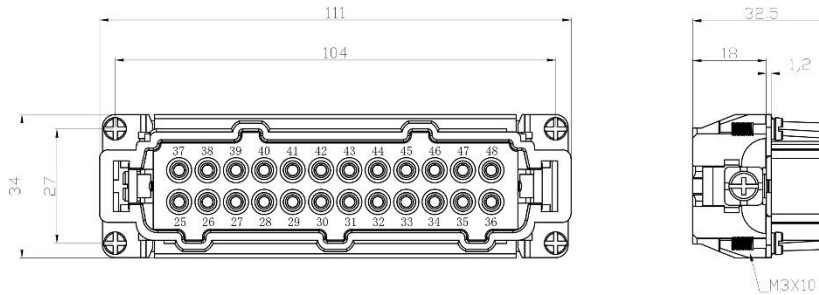


# Dimensional line drawings

## 24 Pole Female Crimp for RS Pro H24B series Housing 208-4507

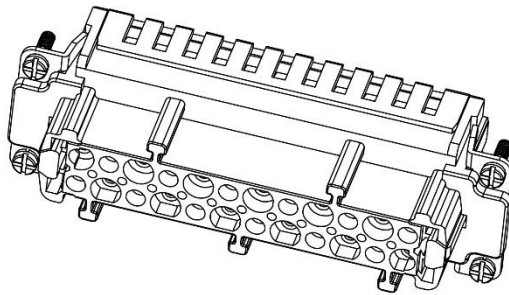
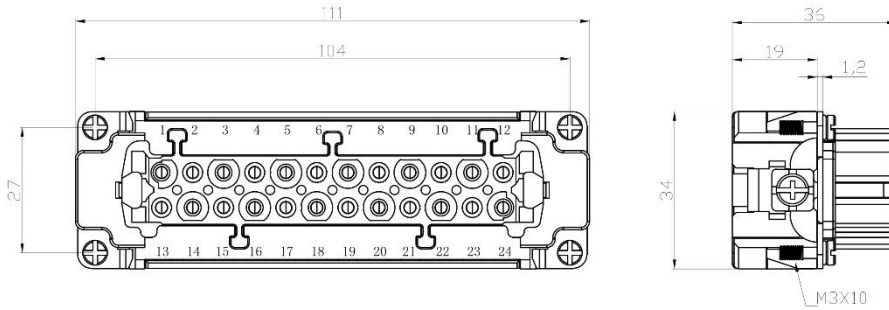


## 24 Pole Male Crimp for RS Pro H24B series Housing 208-4510

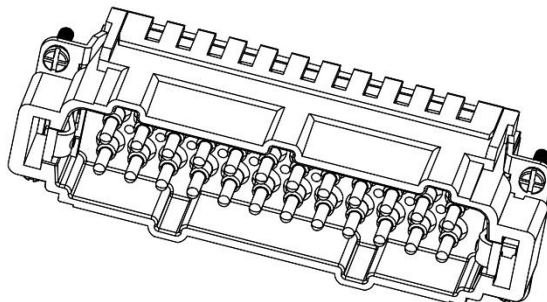
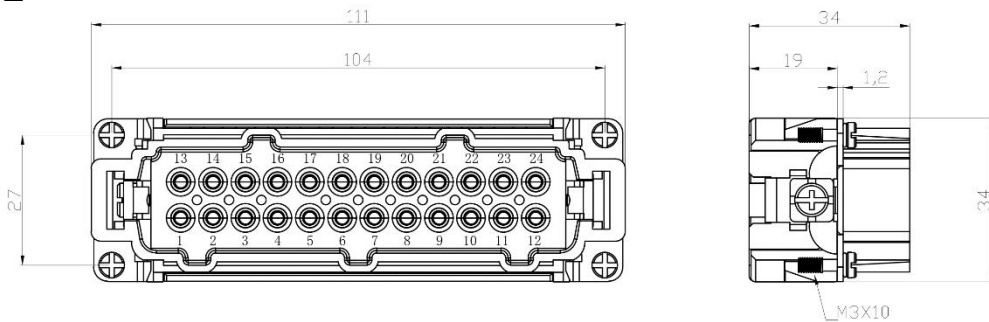


# Dimensional line drawings

## 24 Pole Female Cage Clamp for RS Pro H24B series Housing 208-4508

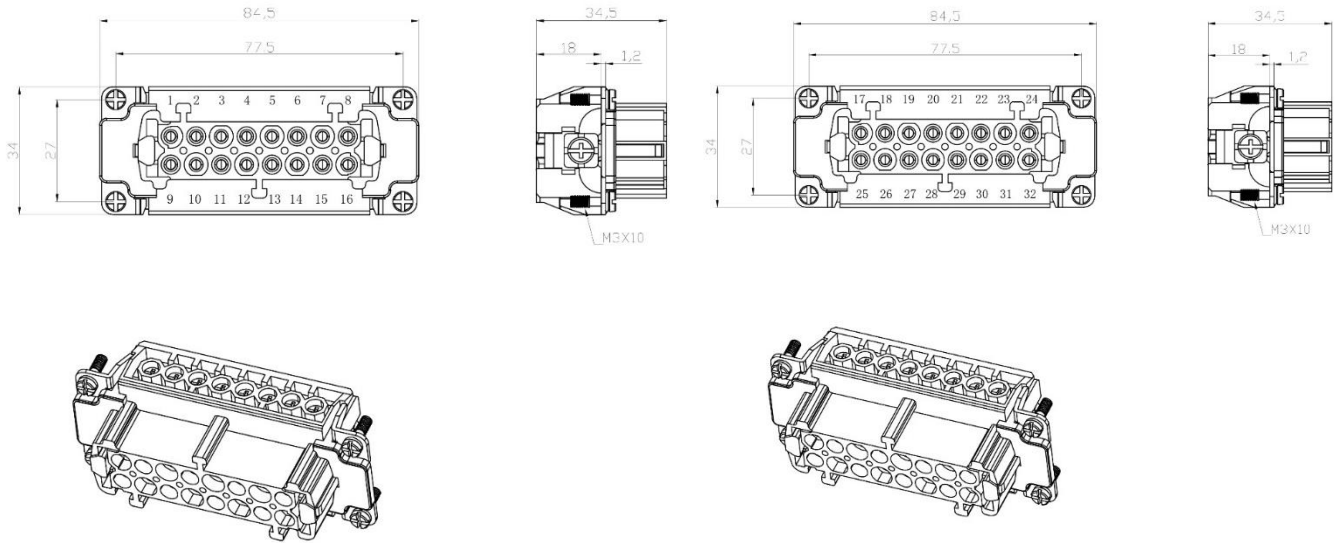


## 24 Pole Male Cage Clamp for RS Pro H24B series Housing 208-4512

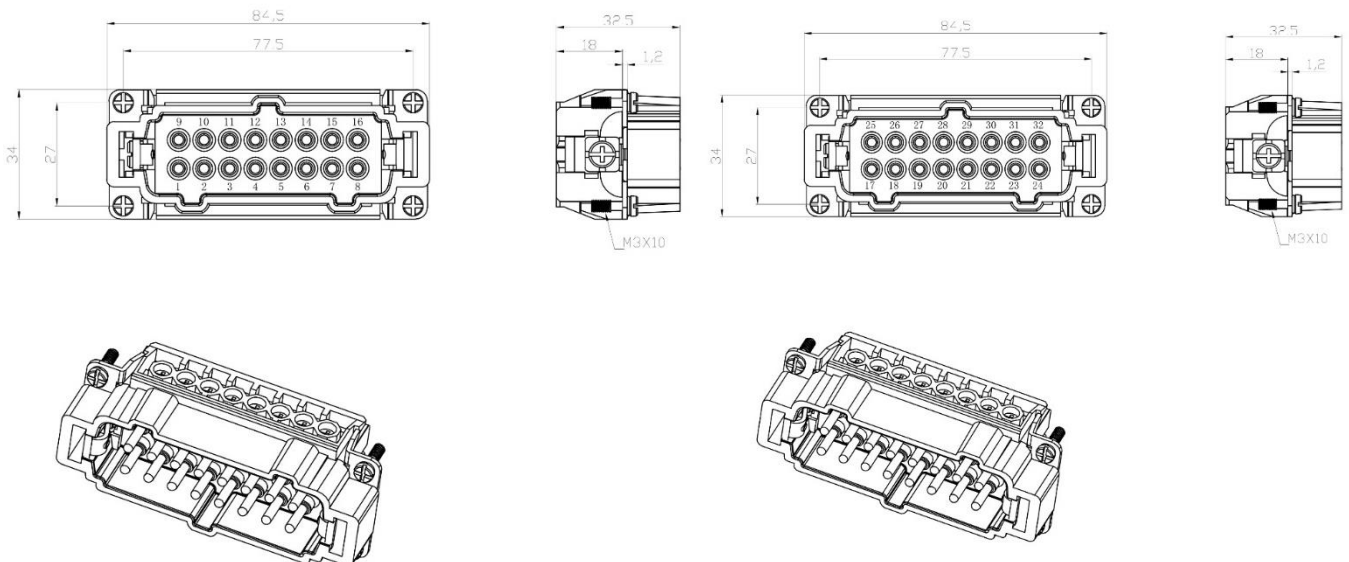


# Dimensional line drawings

## 32 Pole Female Screw for RS Pro H32B series Housing 208-4513 (2x 16 pole)

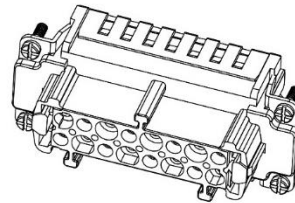
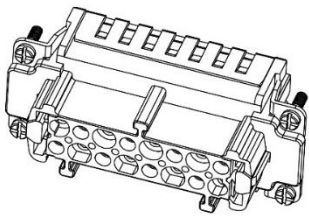
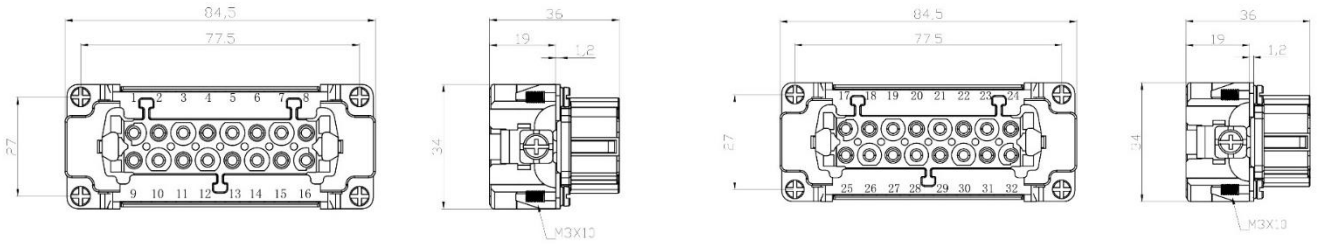


## 32 Pole Male Screw for RS Pro H32B series Housing 208-4516 (2x 16 pole)

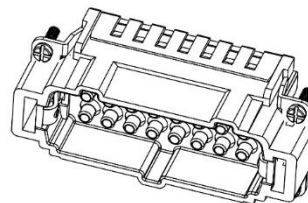
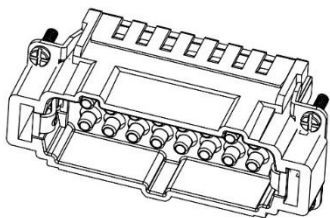
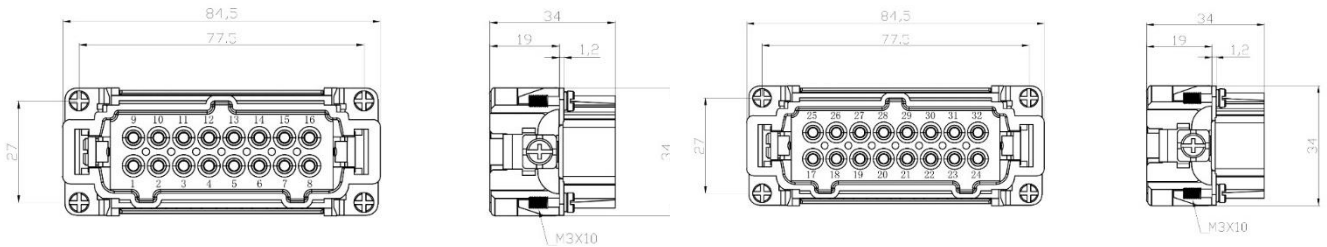


# Dimensional line drawings

## 32 Pole Female Crimp for RS Pro H32B series Housing 208-4514 (2x 16 pole)



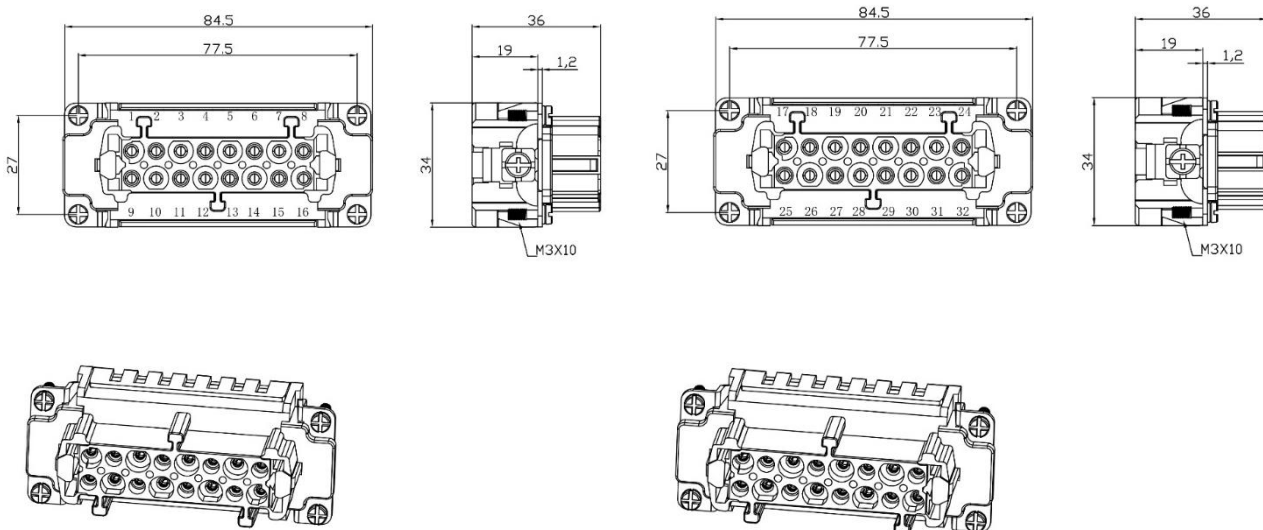
## 32 Pole Male Crimp for RS Pro H32B series Housing 208-4517 (2x 16 pole)



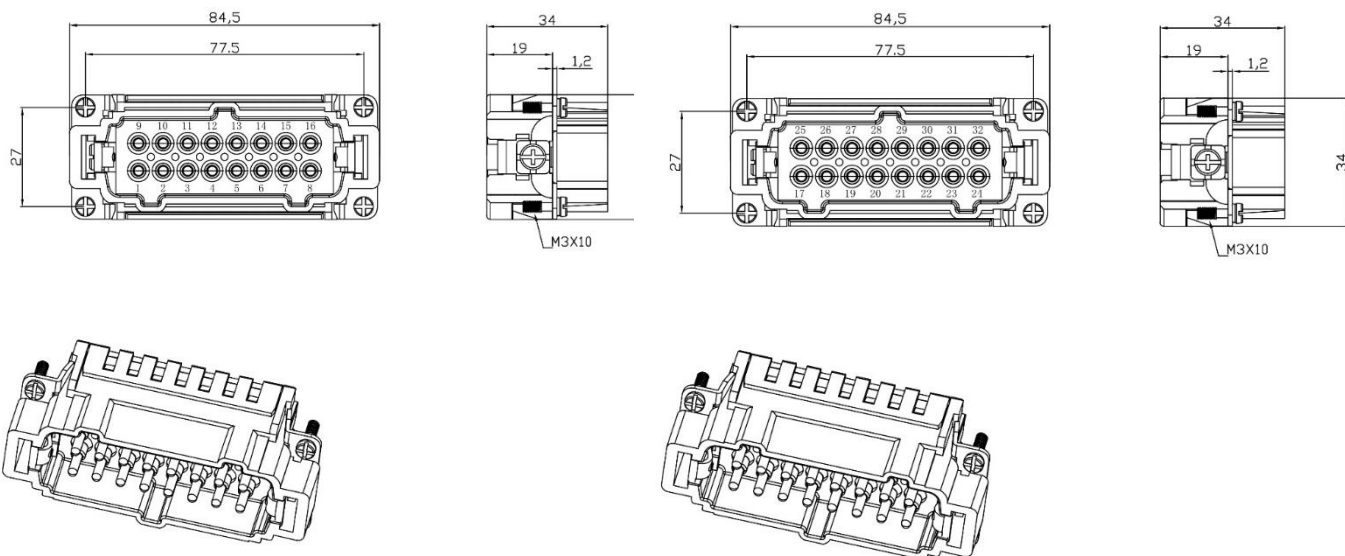


## Dimensional line drawings

### 32 Pole Female Cage Clamp for RS Pro H32B series Housing 208-4515 (2x 16 pole)

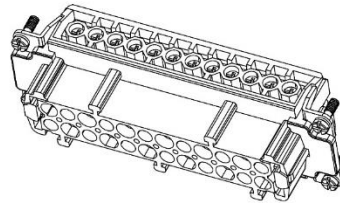
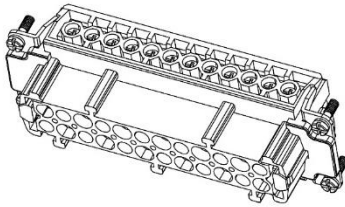
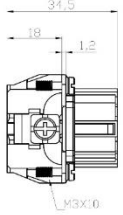
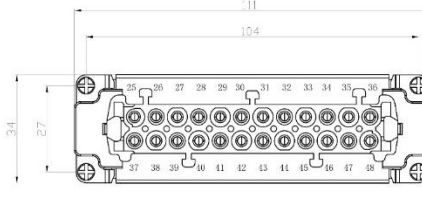
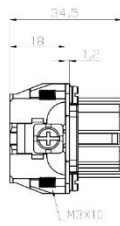
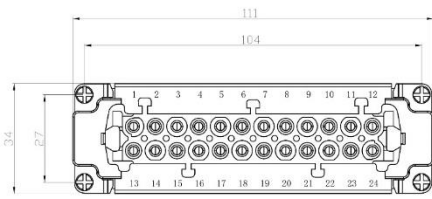


### 32 Pole Male Cage Clamp for RS Pro H32B series Housing 208-4518 (2x 16 pole)

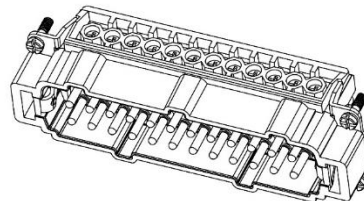
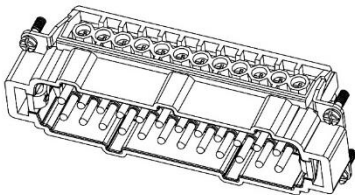
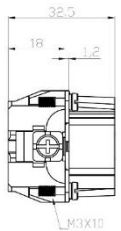
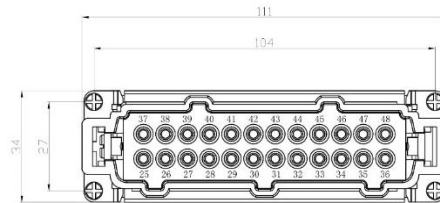
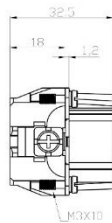
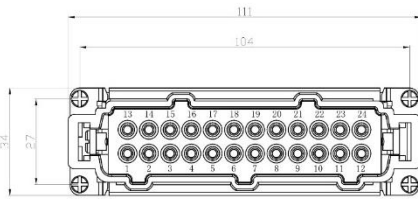


# Dimensional line drawings

## 48 Pole Female Screw for RS Pro H48B series Housing 208-4519 (2x 24 pole)

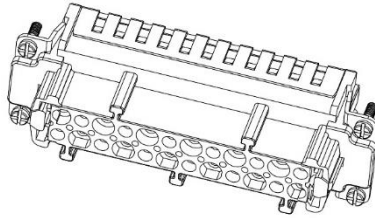
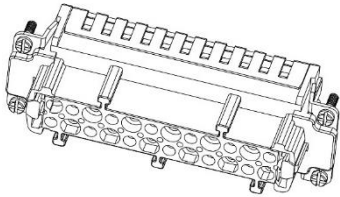
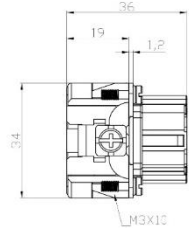
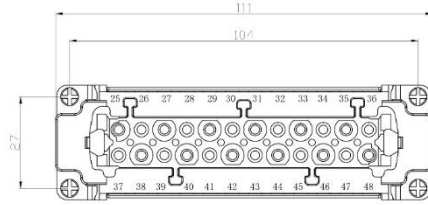
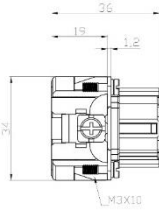
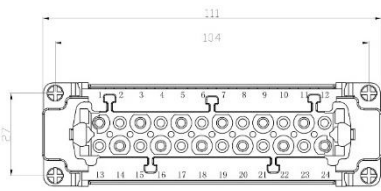


## 48 Pole Male Screw for RS Pro H48B series Housing 208-4522 (2x 24 pole)

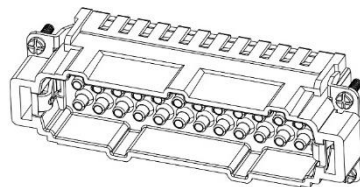
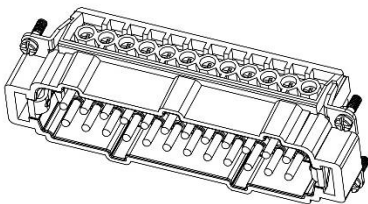
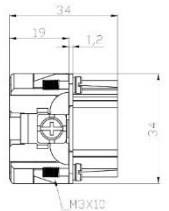
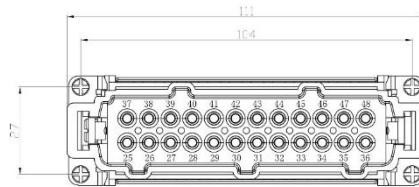
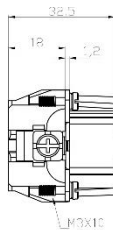
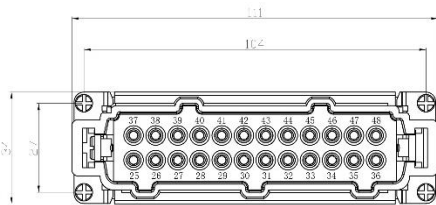


# Dimensional line drawings

## 48 Pole Female Crimp for RS Pro H48B series Housing 208-4520 (2x 24 pole)

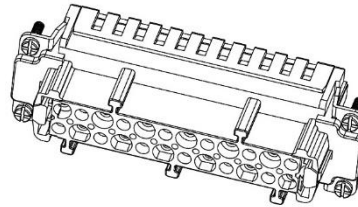
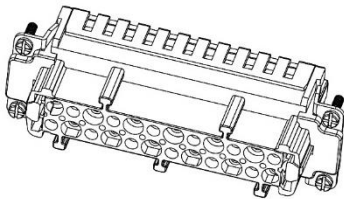
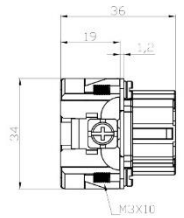
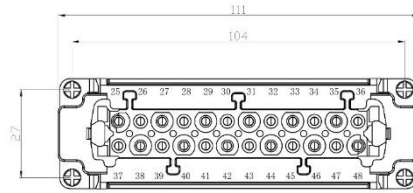
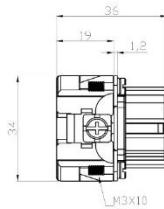
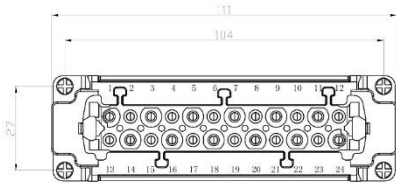


## 48 Pole Male Crimp for RS Pro H48B series Housing 208-4523 (2x 24 pole)



# Dimensional line drawings

## 48 Pole Female Cage Clamp for RS Pro H48B series Housing 208-4521 (2x 24 pole)



## 48 Pole Male Cage Clamp for RS Pro H48B series Housing 208-4524 (2x 24 pole)

